



National Défense
Defence nationale

C-87-248-000/MB-000

USERS MANUAL

1982 PATTERN WEBBING

(Supersedes C-87-248-000/MB-000 dated 1983-09-20)

**Issued on Authority of the Chief of the Defence Staff
Publiée avec l'autorisation du Chef d'état-major de la Défense**

OPI: DCGEM 2

1992-04-02

Canada

LIST OF EFFECTIVE PAGES

Insert latest changed pages; dispose of superseded pages in accordance with applicable orders.

NOTE

The portion of the text affected by the latest change is indicated by a black vertical in the margin of the page. Changes to illustrations are indicated by miniature pointing hands or black vertical lines.

Dates of issue for original and changed pages are:

Original	0	1992-04-02	Ch	6
Ch	1		Ch	7
Ch	2		Ch	8
Ch	3		Ch	9
Ch	4		Ch	10
Ch	5		Ch	11

Zero in Change No. Column indicates an original page. Total number of pages in this publication is 36 consisting of the following:

Page No.	Change No.	Page No.	Change No.
Title	0	3-1 to 3-5/3-6	0
A	0	4-1 to 4-12	0
i, ii	0	5-1/5-2	0
1-1, 1-2	0	6-1, 6-2	0
2-1 to 2-10	0		

Contact Officer: DCGEM 2

© 1992 DND Canada

TABLE OF CONTENTS

	PAGE
PART 1 – INTRODUCTION	
AIM OF MANUAL	1-1
DESIGN CONCEPT	1-1
General	1-1
Description	1-1
Load Carrying Principles	1-1
Load Carrying Rules	1-2
PART 2 – FIGHTING ORDER	
Introduction	2-1
Fighting Order Components	2-2
Fighting Order – Assembly Steps	2-5
Fighting Order – Alternate Assembly	2-9
Fighting Order and the Soldier	2-10
PART 3 – BATTLE ORDER	
Introduction	3-1
Battle Order Components	3-2
Battle Order – Assembly Steps	3-3
Alternate Position of Small Field Pack	3-4
Battle Order and the Soldier	3-5/3-6
PART 4 – MARCHING ORDER	
Introduction	4-1
Marching Order Components	4-2
Large Field Pack/Frame – Assembly Steps	4-5
Marching Order and the Soldier	4-11
Large Field Pack – Jettison	4-12
PART 5 – CLEANING AND MAINTENANCE	
Material	5-1/5-2
Cleaning Procedure	5-1/5-2
Maintenance	5-1/5-2
PART 6 – 1982 PATTERN WEBBING LIST	
1982 PATTERN WEBBING LIST	6-1
LARGE PACK ASSEMBLY	6-2

LIST OF FIGURES

FIGURE	TITLE	PAGE
2-1	Fighting Order	2-1
2-2	Fighting Order Components	2-2
2-3	Fighting Order – Assembly Steps	2-5
2-4	Fighting Order – Alternate Assembly	2-9
2-5	Fighting Order and the Soldier	2-10
3-1	Battle Order	3-1
3-2	Battle Order Components	3-2
3-3	Battle Order – Assembly Steps	3-3
3-4	Alternate Position of Small Field Pack	3-4
3-5	Battle Order and the Soldier	3-5/3-6
4-1	Marching Order	4-1
4-2	Marching Order Components	4-2
4-3	Large Field Pack/Frame – Assembly Steps	4-5
4-4	Marching Order	4-10
4-5	Marching Order and the Soldier	4-11
4-6	Large Field Pack – Jettison	4-12

PART 1

INTRODUCTION

AIM OF MANUAL

1. The aim of this manual is to introduce personnel to the 1982 Pattern Webbing.
2. The primary intent is to familiarize users with the 1982 Pattern Webbing and demonstrate its flexibility when used by all personnel regardless of their employment or operational task.
3. It is also intended to be used by instructors as an essential reference document.

DESIGN CONCEPT

GENERAL

4. The requirements for personal webbing are constantly changing due to the complex nature of the modern battlefield. As new equipment is introduced, changes to personal webbing are necessitated and in response to requests from the field force for a more flexible and effective system, the 1982 Pattern Webbing was developed.
5. During development extensive user trials were conducted; light and more durable water repellent fabrics were evaluated, new nylon buckles, couplings, and quick release features were incorporated.
6. The 1982 Pattern Webbing incorporates the design principles of NATO STANAG 2311 and is meant to be used in full or partial sets as FIGHTING ORDER, BATTLE ORDER, OR MARCHING ORDER.

DESCRIPTION

7. The design of the 1982 Pattern Webbing is based on a modular system. Fighting order is used as the basic building block through which the system is tailored to meet mission requirements.
8. Only those components essential for the accomplishment of the mission should be included in the soldier's load. To that end a mission analysis of all known users of personal webbing was conducted to determine the initial distribution of webbing components.

LOAD CARRYING PRINCIPLES

9. During the development of the 1982 Pattern Webbing, load carry studies were conducted by Mobile Command, the Defence and Civil Institute of Environmental Medicine (DCIEM), the U.S. Army Natick Laboratories, and the Directorate of Clothing General Engineering and Maintenance (DCGEM).
10. Based on these and other studies, the following load carry principles were developed:
 - a. Soldiers can carry loads of up to one third their body weight for prolonged periods with little adverse effect.

- b. Soldiers can carry loads in excess of one third their body weight, however the effect of so doing is cumulative and directly proportional to the increase in weight and the time carried.
- c. Loads should be positioned high on the back and as close to the body as possible.
- d. Loads should be carried so as to distribute the weight between the HIPS and SHOULDERS in the ratio of 60 to 40 per cent respectively.

11. The 1982 Pattern Webbing has been designed to conform as closely as possible to the above principles.

LOAD CARRYING RULES

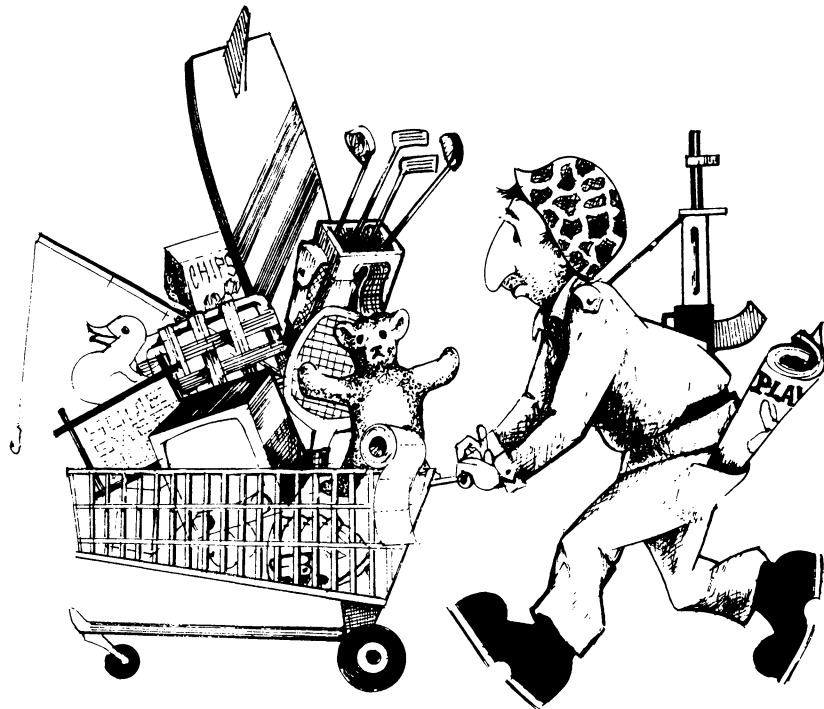
12. Carrying a combat load is a hard enough task in itself but to carry it improperly makes the job even more difficult.

13. Every item to be carried has its proper place — the location is important. In general, the most critical items of equipment are the easiest to reach.

FOLLOW THESE RULES

- 1. Know the equipment.
- 2. Assemble the equipment properly.
- 3. Keep each item in its proper place.
- 4. Keep the load as light as possible.

REMEMBER . . .
IT'S YOUR BACK



PART 2
FIGHTING ORDER

INTRODUCTION

1. Fighting Order consists of the ammunition, personal weapons, and items of personal equipment carried on a soldier which must be immediately available for combat. The Fighting Order is illustrated in Figure 2-1.

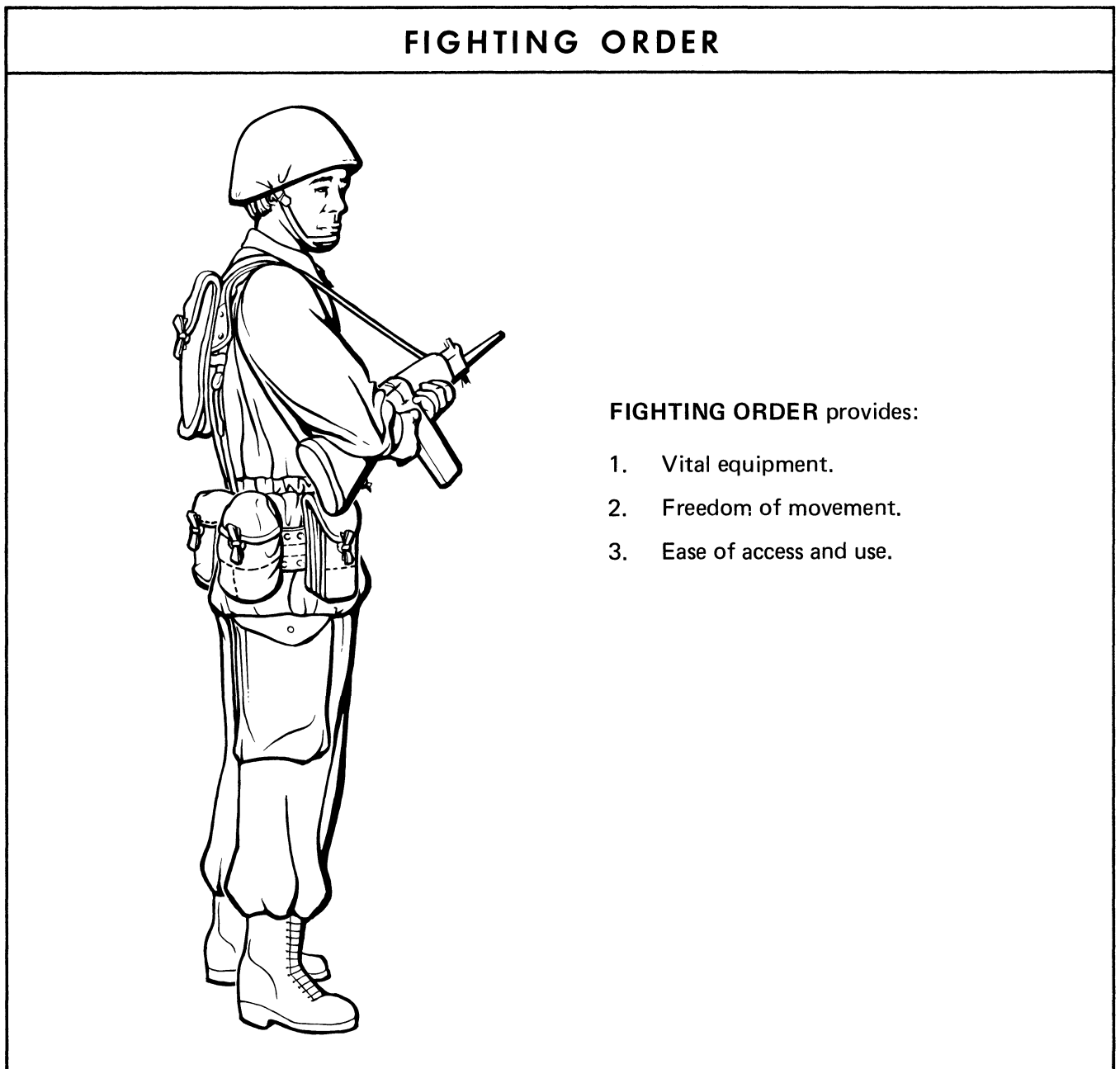


Figure 2-1 Fighting Order

FIGHTING ORDER COMPONENTS

2. The Fighting Order components are illustrated in Figure 2-2.

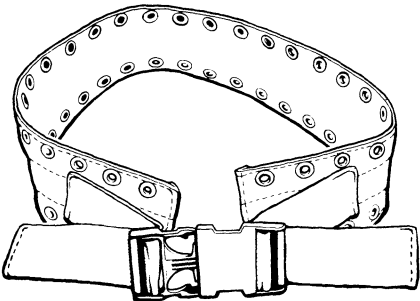
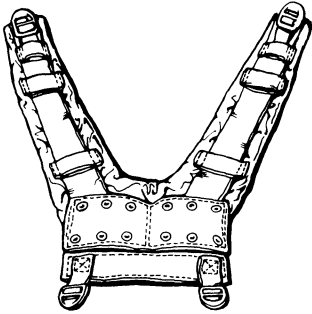
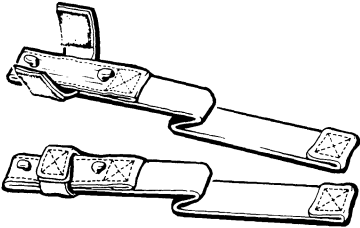
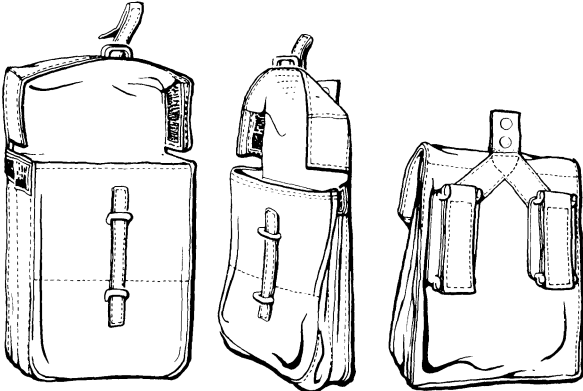
FIGHTING ORDER COMPONENTS	
	<p>1. UTILITY BELT</p> <ul style="list-style-type: none">• Used to carry fighting load components.• Issued in small, medium, or large.
	<p>2. YOKE</p> <ul style="list-style-type: none">• Used to support the belt and various components.
	<p>3. HOOK-STRAP ASSEMBLY</p> <ul style="list-style-type: none">• Used in conjunction with yoke to support belt or load carriers.
	<p>4. POUCH MAGAZINE UTILITY/ 200 ROUND</p> <ul style="list-style-type: none">• Carries ammunition for personnel issued with C9 weapon.• Carries extra ammunition or rainwear.

Figure 2-2 (Sheet 1 of 3) Fighting Order Components

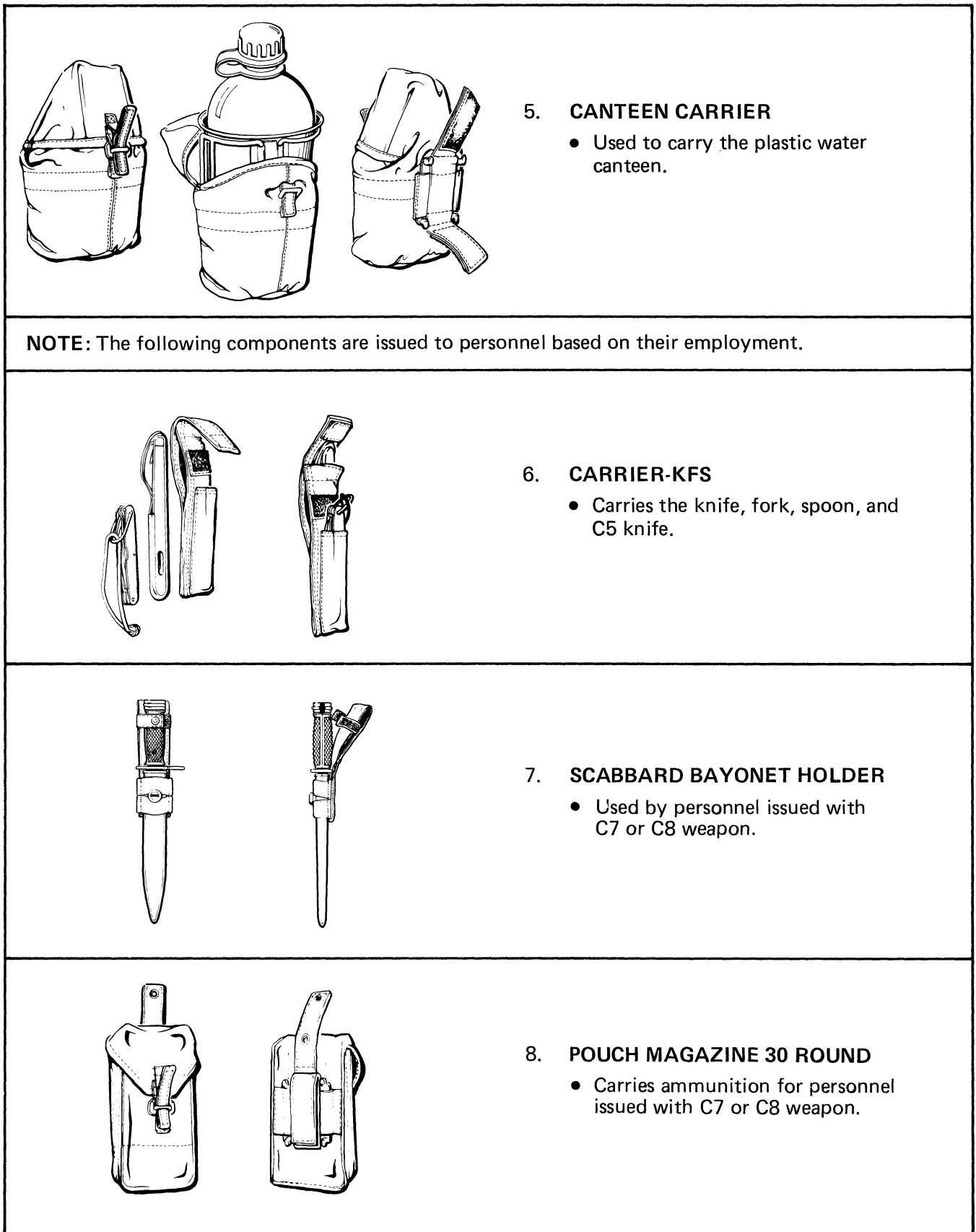


Figure 2-2 (Sheet 2 of 3) Fighting Order Components

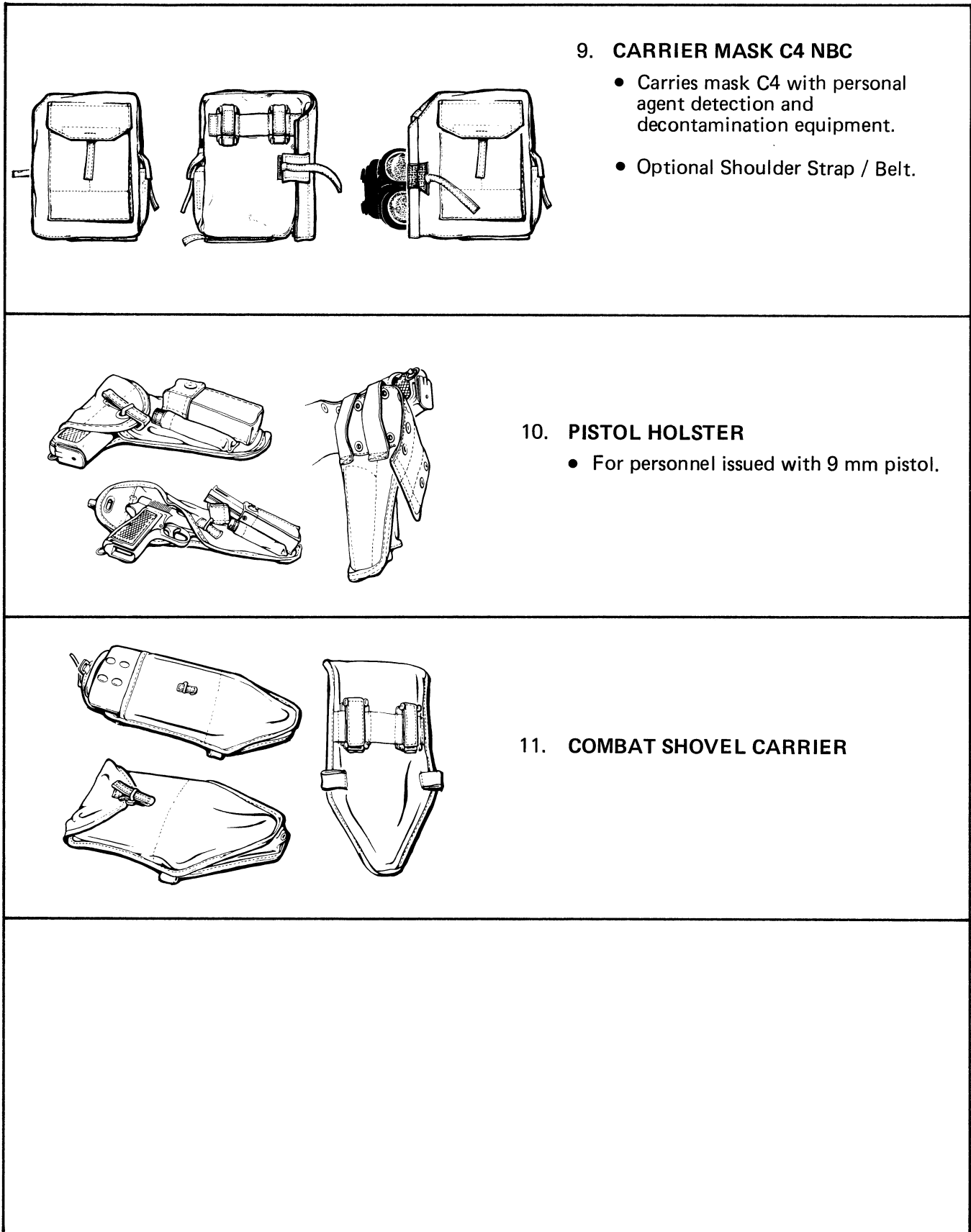


Figure 2-2 (Sheet 3 of 3) Fighting Order Components

FIGHTING ORDER – ASSEMBLY STEPS

3. To ensure maximum efficiency and comfort requires the individual components to be installed in the proper sequence and location. The Fighting Order assembly steps are illustrated in Figure 2-3.

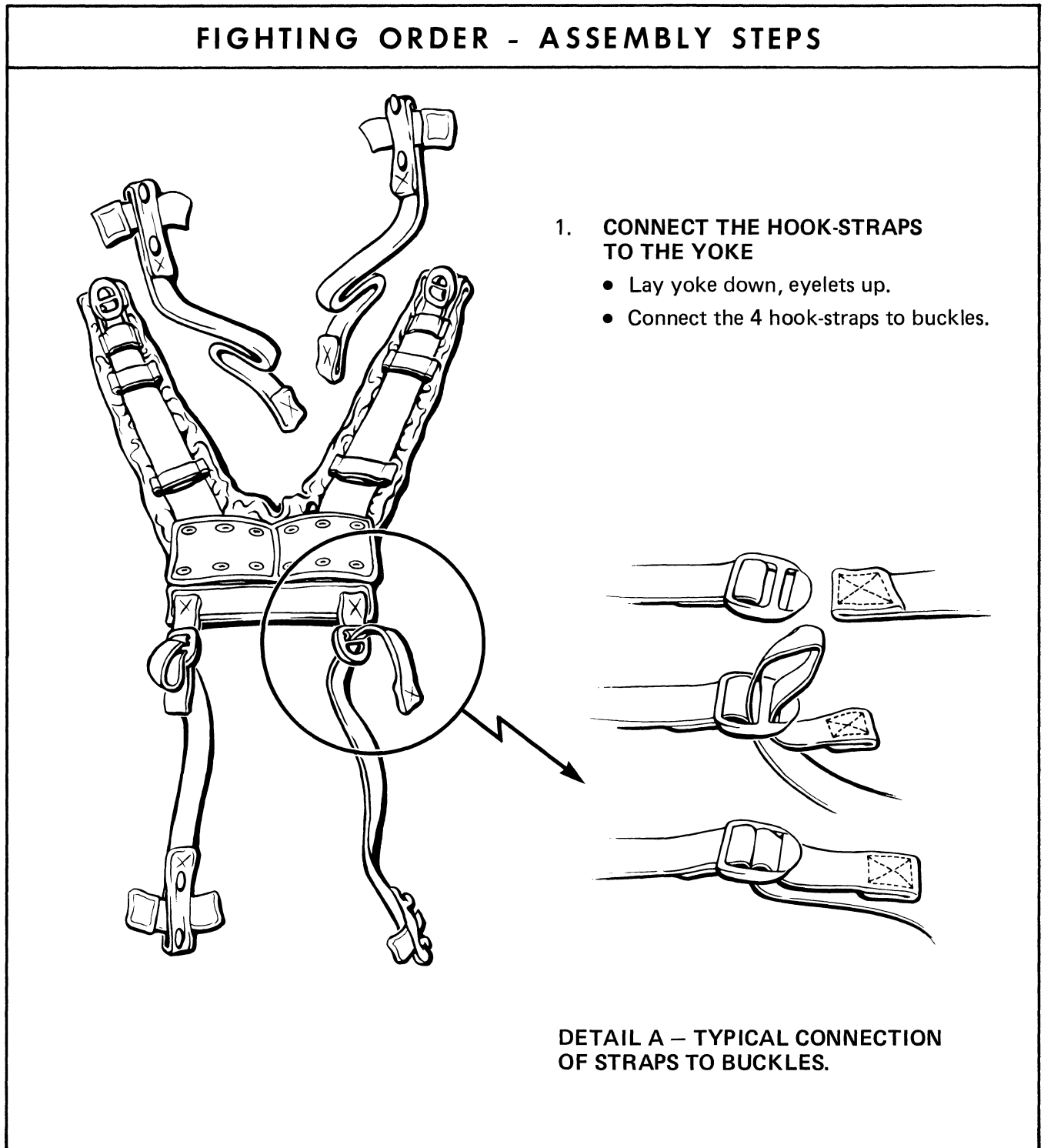


Figure 2-3 (Sheet 1 of 4) Fighting Order – Assembly Steps

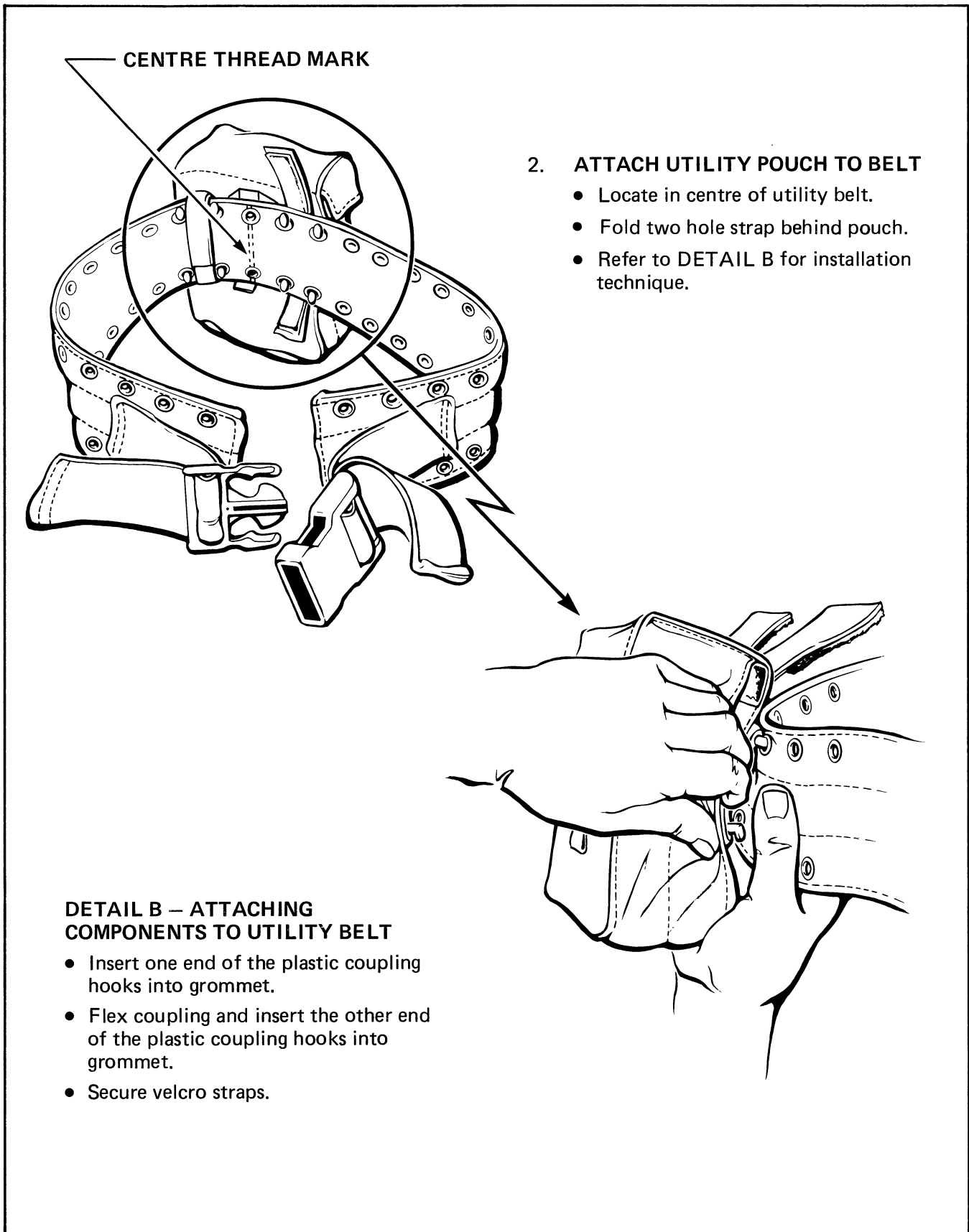
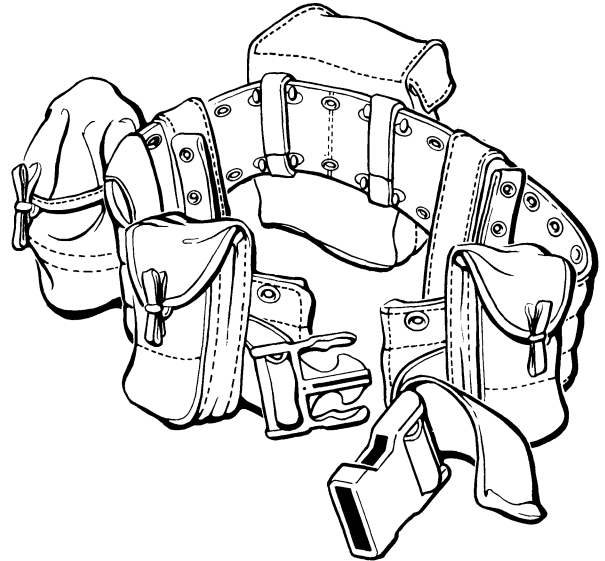


Figure 2-3 (Sheet 2 of 4) Fighting Order – Assembly Steps

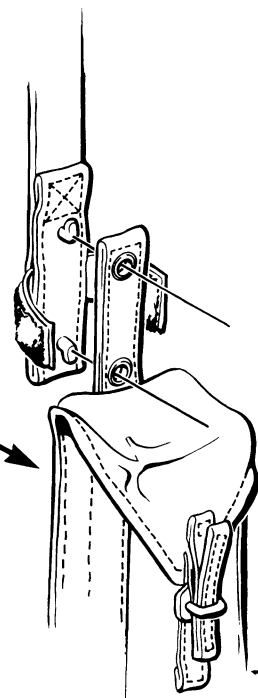
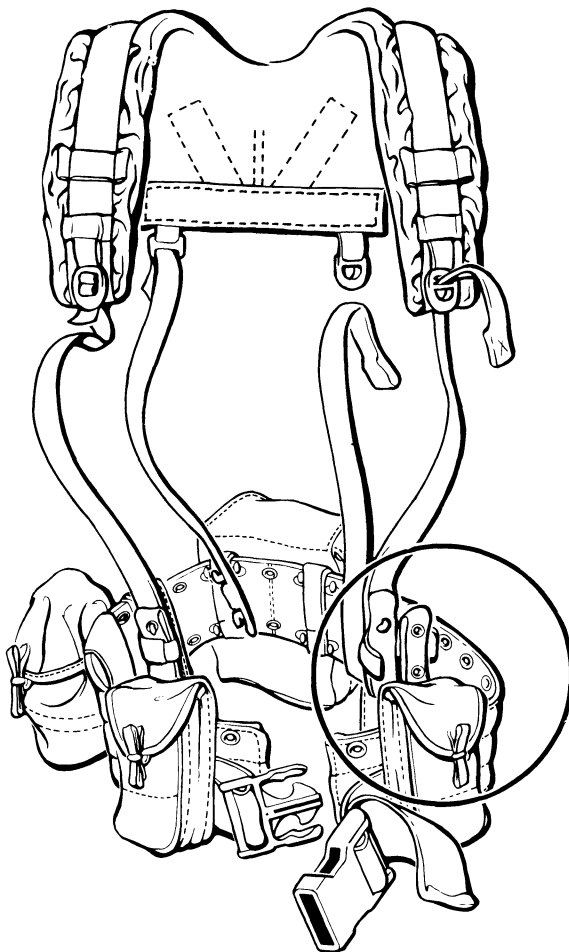
3. INSTALL ADDITIONAL COMPONENTS

- Slide on KFS and bayonet holder.
- Attach canteen and magazine carriers.



4. CONNECT YOKE TO UTILITY BELT ASSEMBLY

- Attach hook-straps to belt and magazine carriers.

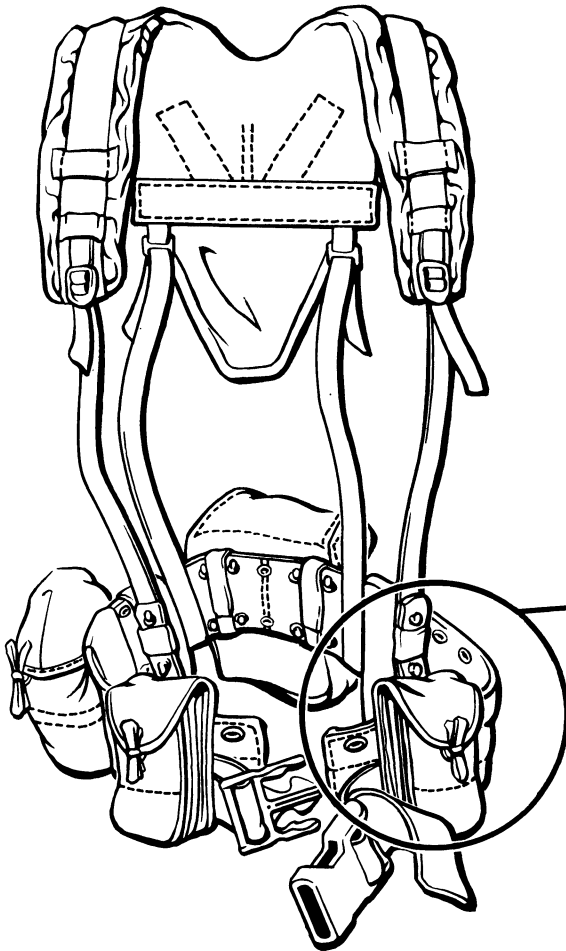
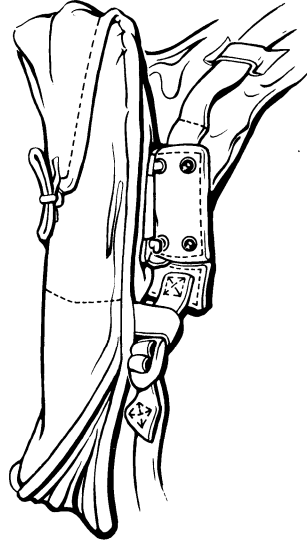


DETAIL C – CONNECTION OF HOOK-STRAPS TO CARRIERS

Figure 2-3 (Sheet 3 of 4) Fighting Order -- Assembly Steps

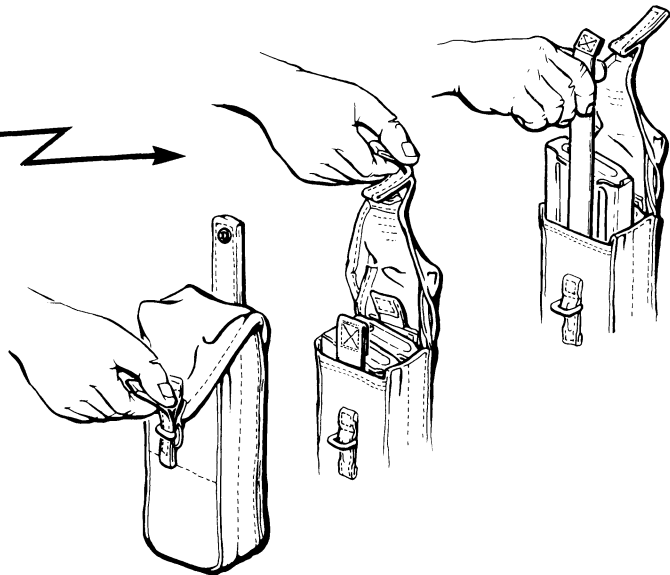
5. ATTACH COMBAT SHOVEL TO YOKE

- Feed hook-straps through loops in carrier.



6. ASSEMBLED FIGHTING ORDER

- The issue of fighting order components may vary based on employment but the installation techniques remain the same.



DETAIL D – MAGAZINE QUICK ACCESS FEATURE

- Pull straps to obtain magazine from carrier.

Figure 2-3 (Sheet 4 of 4) Fighting Order – Assembly Steps

FIGHTING ORDER – ALTERNATE ASSEMBLY

4. The Fighting Order alternate assembly is illustrated in Figure 2-4.

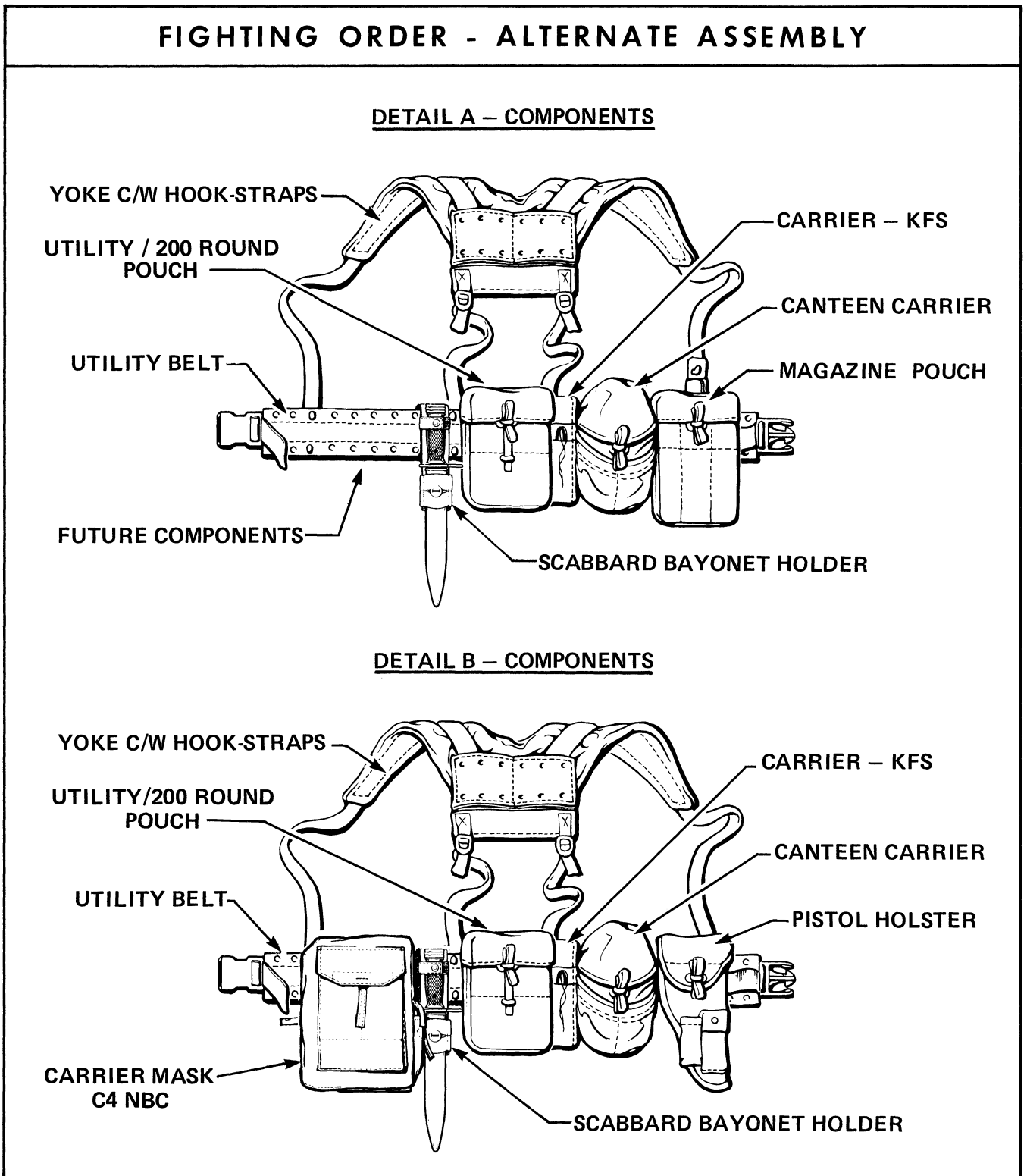


Figure 2-4 Fighting Order – Alternate Assembly

FIGHTING ORDER AND THE SOLDIER

5. Refer to Figure 2-5 for details.

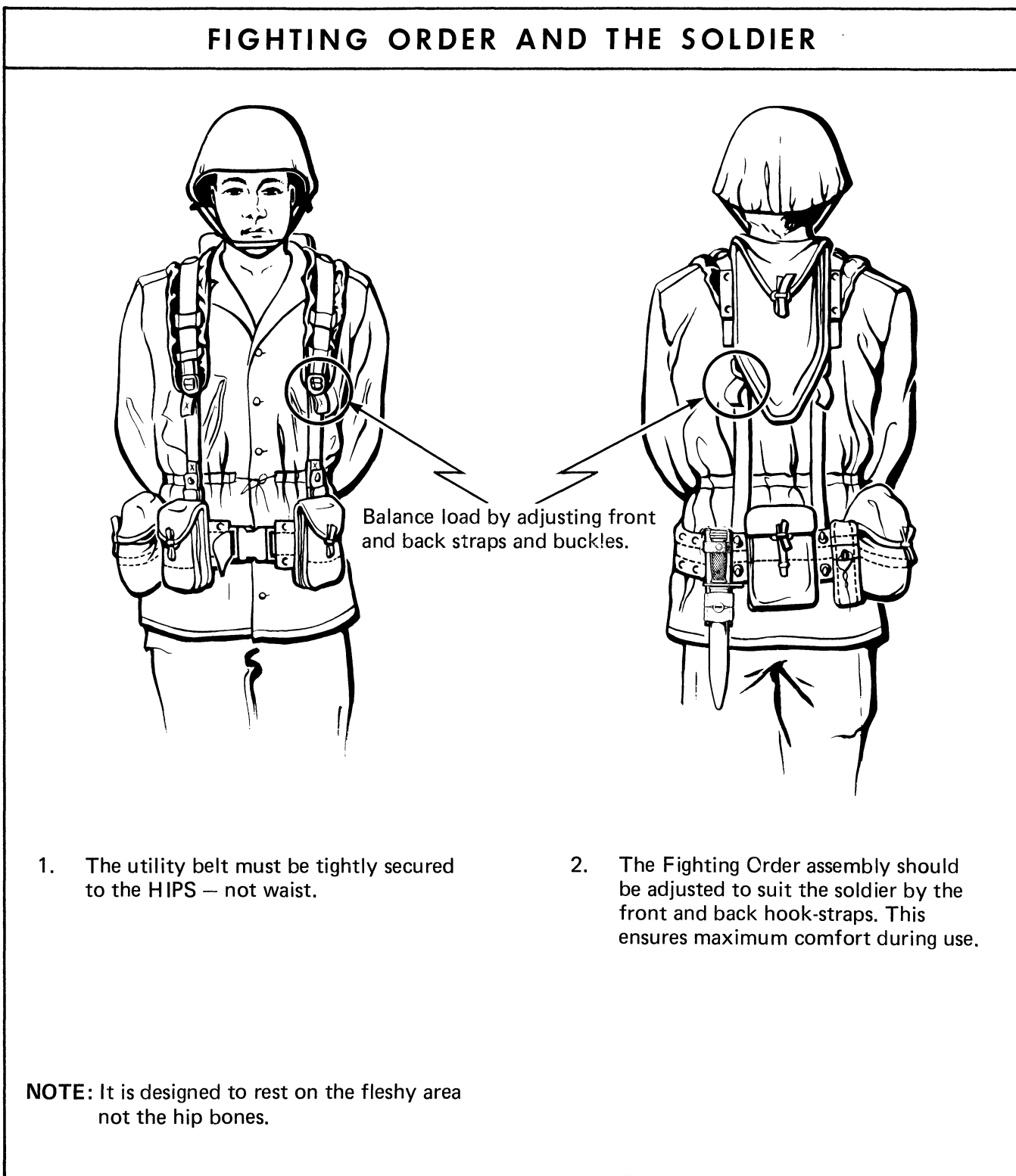


Figure 2-5 Fighting Order and the Soldier

PART 3

BATTLE ORDER

INTRODUCTION

1. Battle Order consists of Fighting Order plus crew-served weapons and those items of ammunition, equipment, and rations necessary to support a soldier in combat for a period of time not exceeding 72 hours. The Battle Order is illustrated in Figure 3-1.

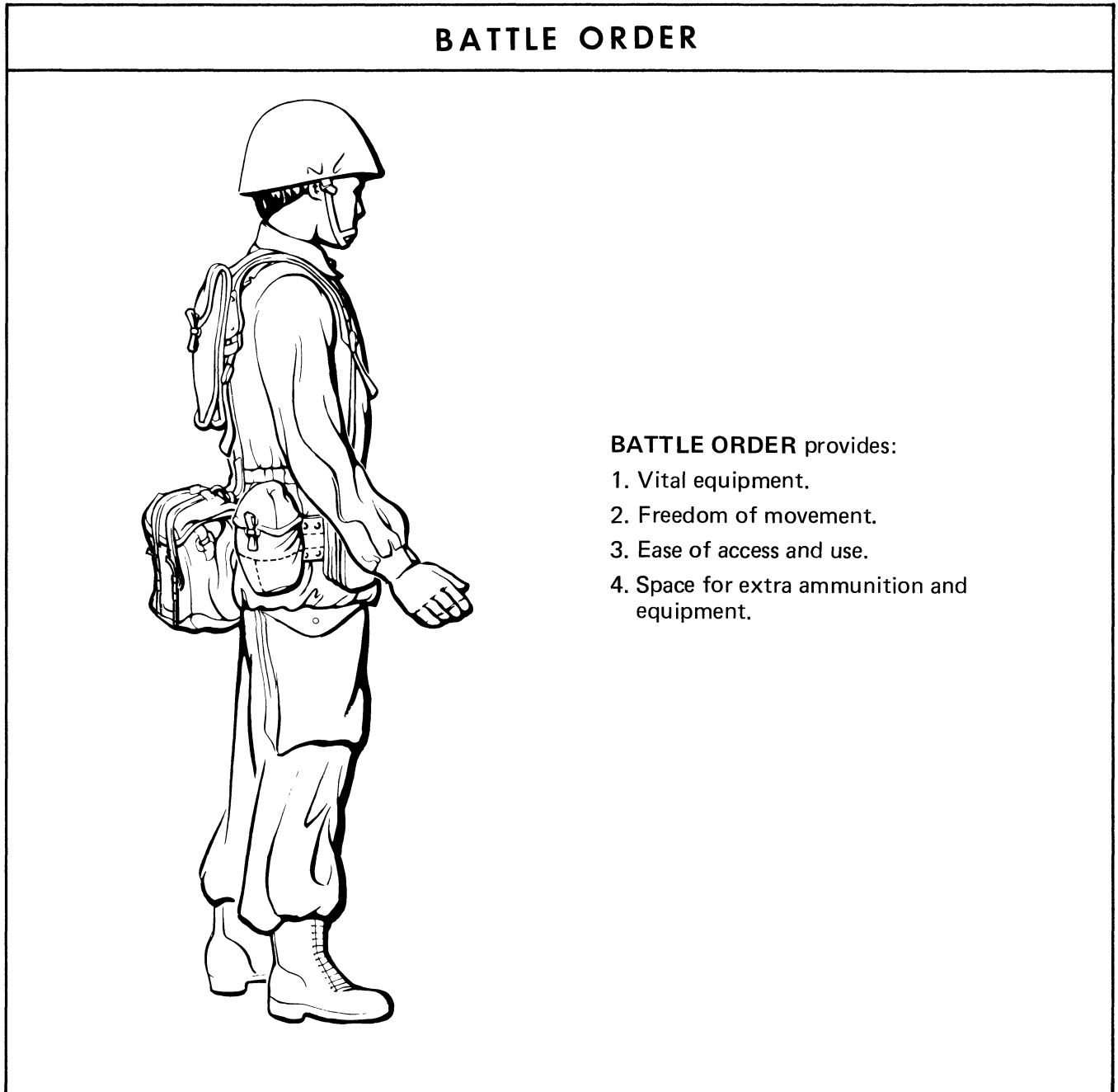


Figure 3-1 Battle Order

BATTLE ORDER COMPONENTS

2. The Battle Order components are illustrated in Figure 3-2.

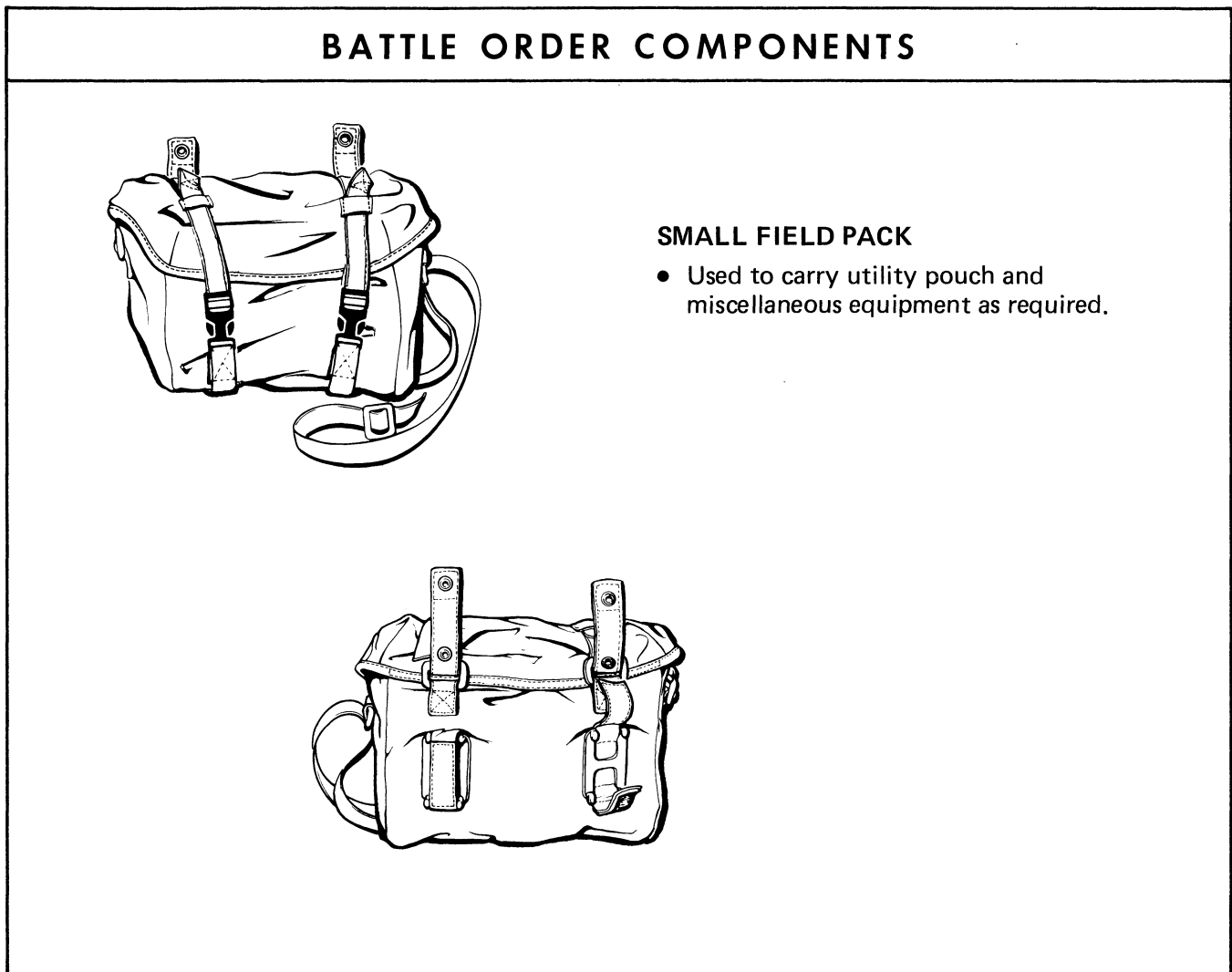


Figure 3-2 Battle Order Components

BATTLE ORDER – ASSEMBLY STEPS

3. The existing Fighting Order components are retained as the basic webbing and the small field pack is added. The assembly steps are illustrated in Figure 3-3.

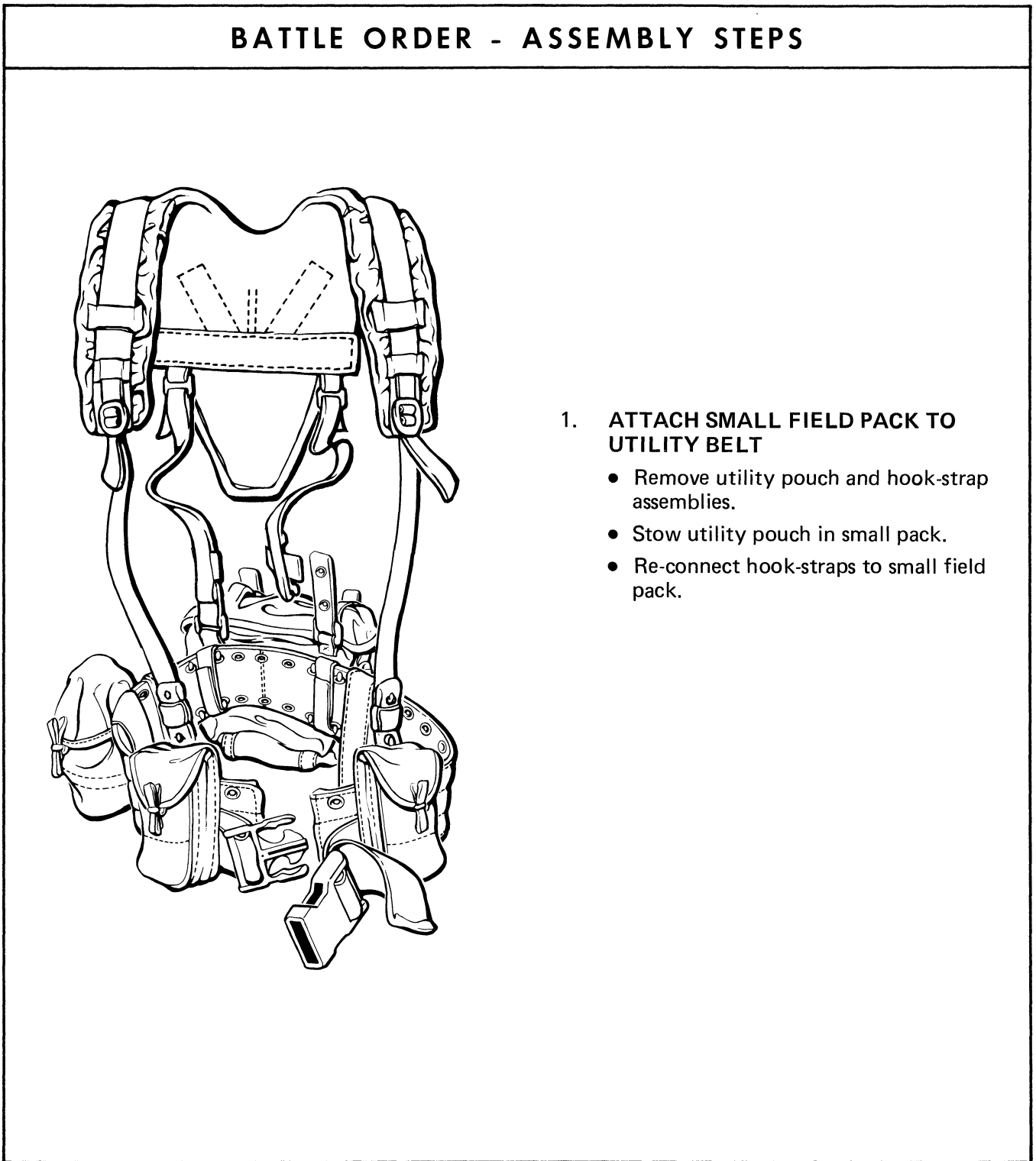


Figure 3-3 Battle Order – Assembly Steps

ALTERNATE POSITION OF SMALL FIELD PACK

4. The Alternate Position of the Small Field Pack is illustrated in Figure 3-4.

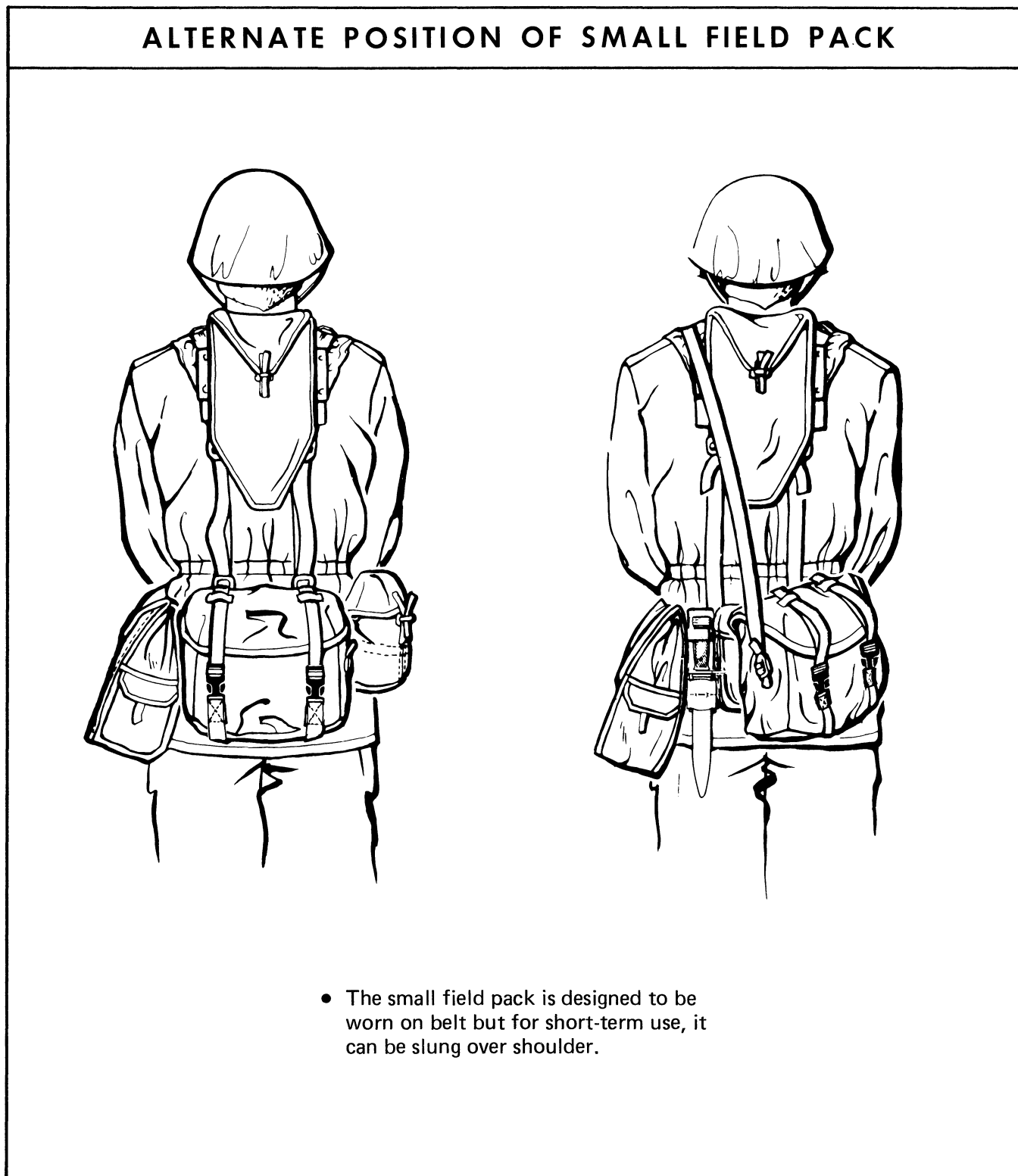


Figure 3-4 Alternate Position of Small Field Pack

BATTLE ORDER AND THE SOLDIER

5. Refer to Figure 3-5 for details.

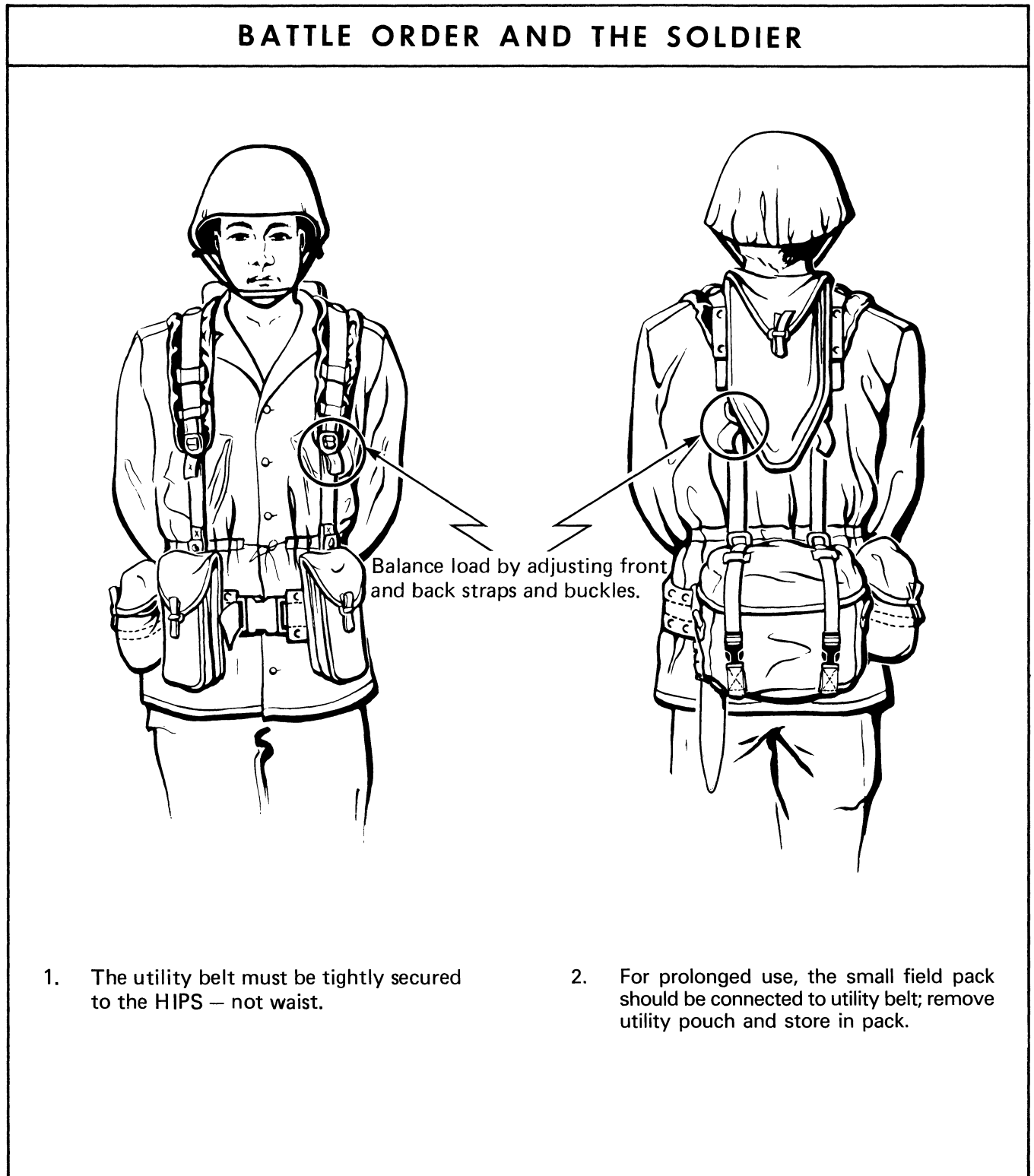


Figure 3-5 Battle Order and the Soldier

PART 4

MARCHING ORDER

INTRODUCTION

1. Marching Order consists of Battle Order plus those items of equipment necessary to support a soldier in the combat zone for an indefinite period of time. The Marching Order is illustrated in Figure 4-1.

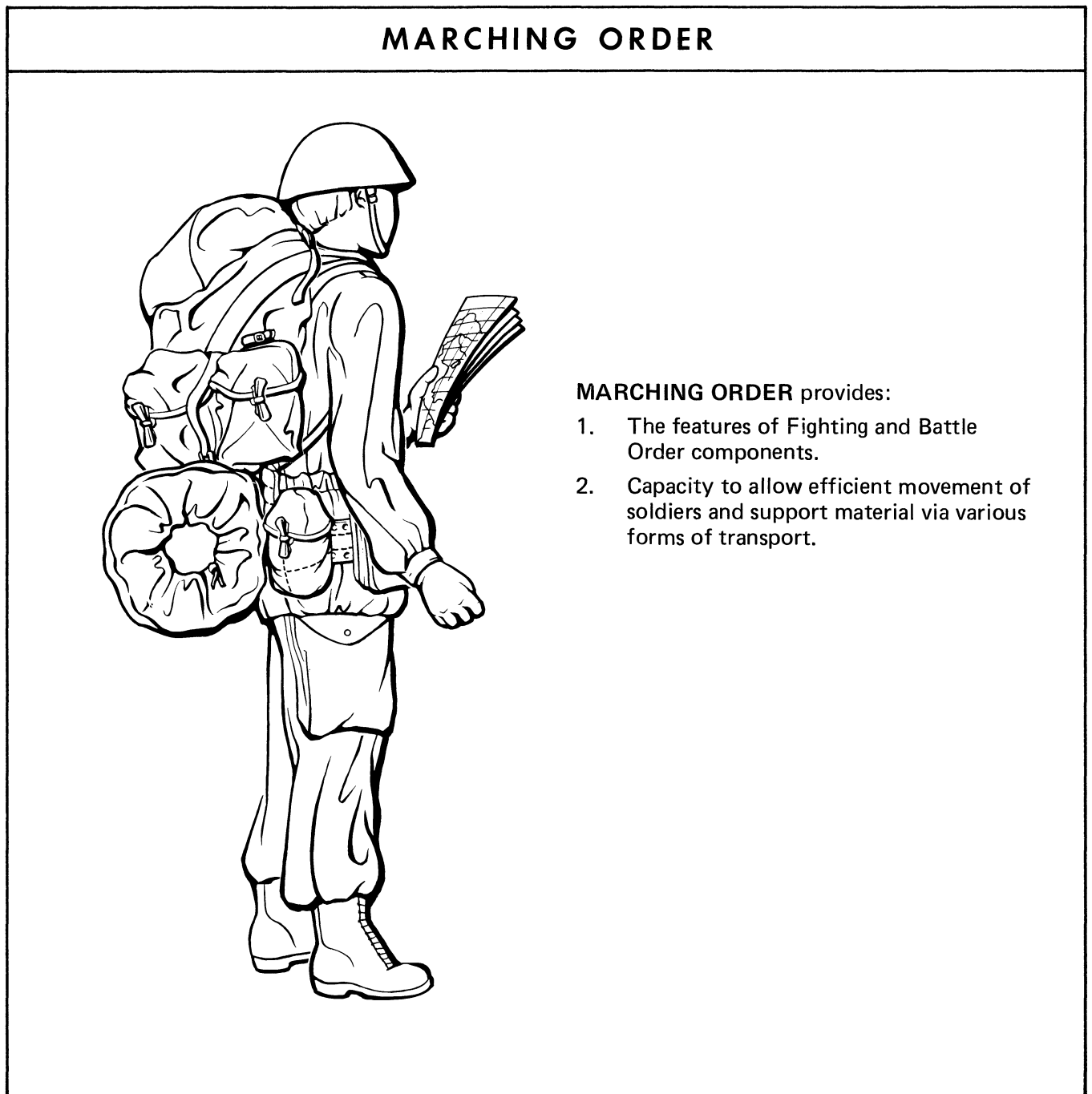


Figure 4-1 Marching Order

MARCHING ORDER COMPONENTS

2. The Marching Order components are illustrated in Figure 4-2.

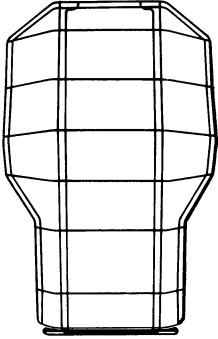
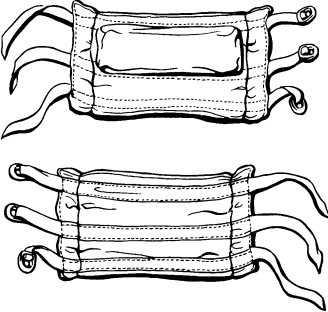
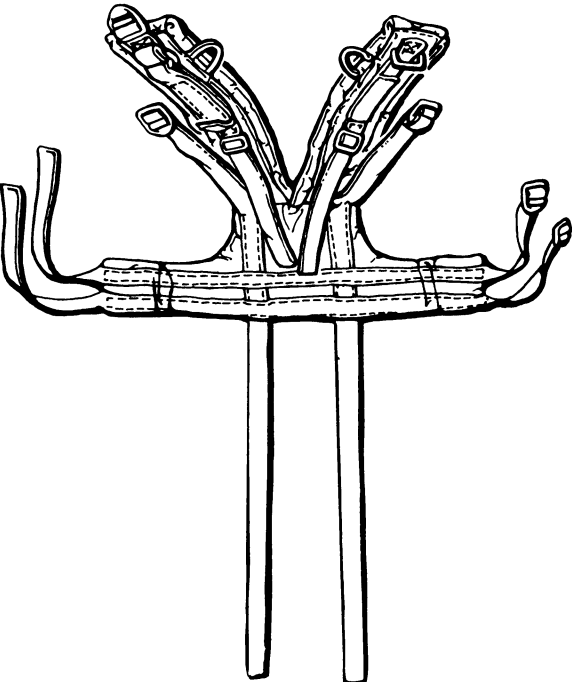
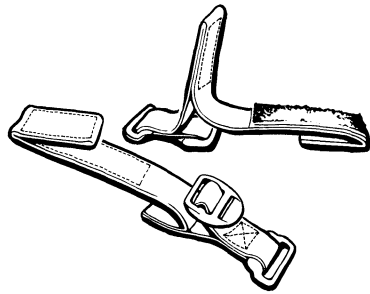
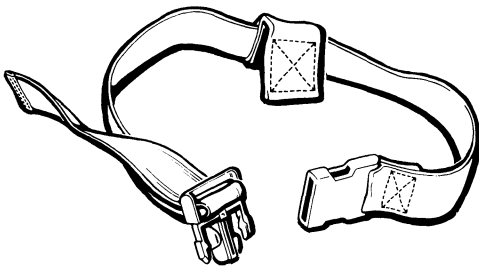
MARCHING ORDER COMPONENTS	
	<p>1. WIRE FRAME</p> <ul style="list-style-type: none">• Contoured wire frame used to support marching order components.
	<p>2. LOWER BACK PROTECTOR</p> <ul style="list-style-type: none">• Attaches to wire frame to provide comfort and support when carrying loads.
	<p>3. SHOULDER HARNESS</p> <ul style="list-style-type: none">• When assembled to frame this allows adjustment to specific body measurements.

Figure 4-2 (Sheet 1 of 3) Marching Order Components



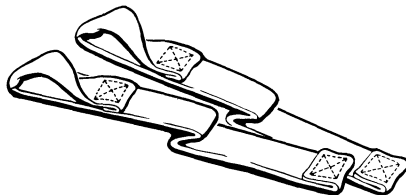
4. **QUICK RELEASE STRAPS**

- The straps connect to the shoulder harness and allow quick release of the large field pack.



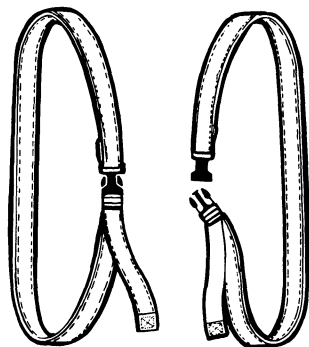
5. **WAIST BELT AND VELCRO LOOP**

- Fully adjustable waist belt.



6. **MOBIUS LOOPS**

- Twist in strap allows for connection to frame.



7. **SLEEPING BAG STRAPS**

- Straps connect to frame and secure sleeping bag.

Figure 4-2 (Sheet 2 of 3) Marching Order Components



8. LARGE FIELD PACK

- Used to carry existence supplies, clothing, rations and personal items.
- Can carry PRC 77 radio and allow external access to controls.

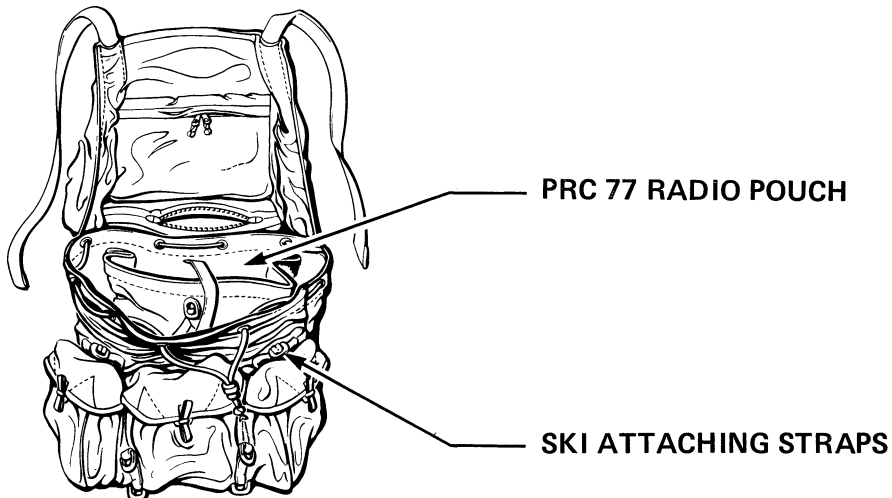
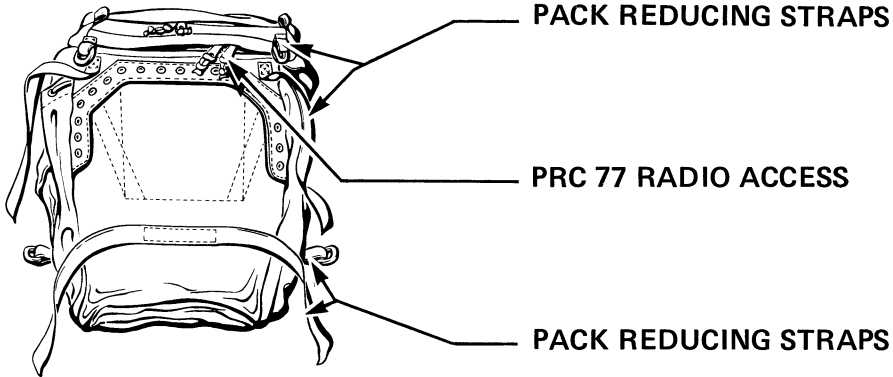


Figure 4-2 (Sheet 3 of 3) Marching Order Components

LARGE FIELD PACK/FRAME – ASSEMBLY STEPS

3. The assembly of the Large Field Pack/Frame requires a specific sequence of installation and designated positioning for all components. The assembly steps are illustrated in Figure 4-3.

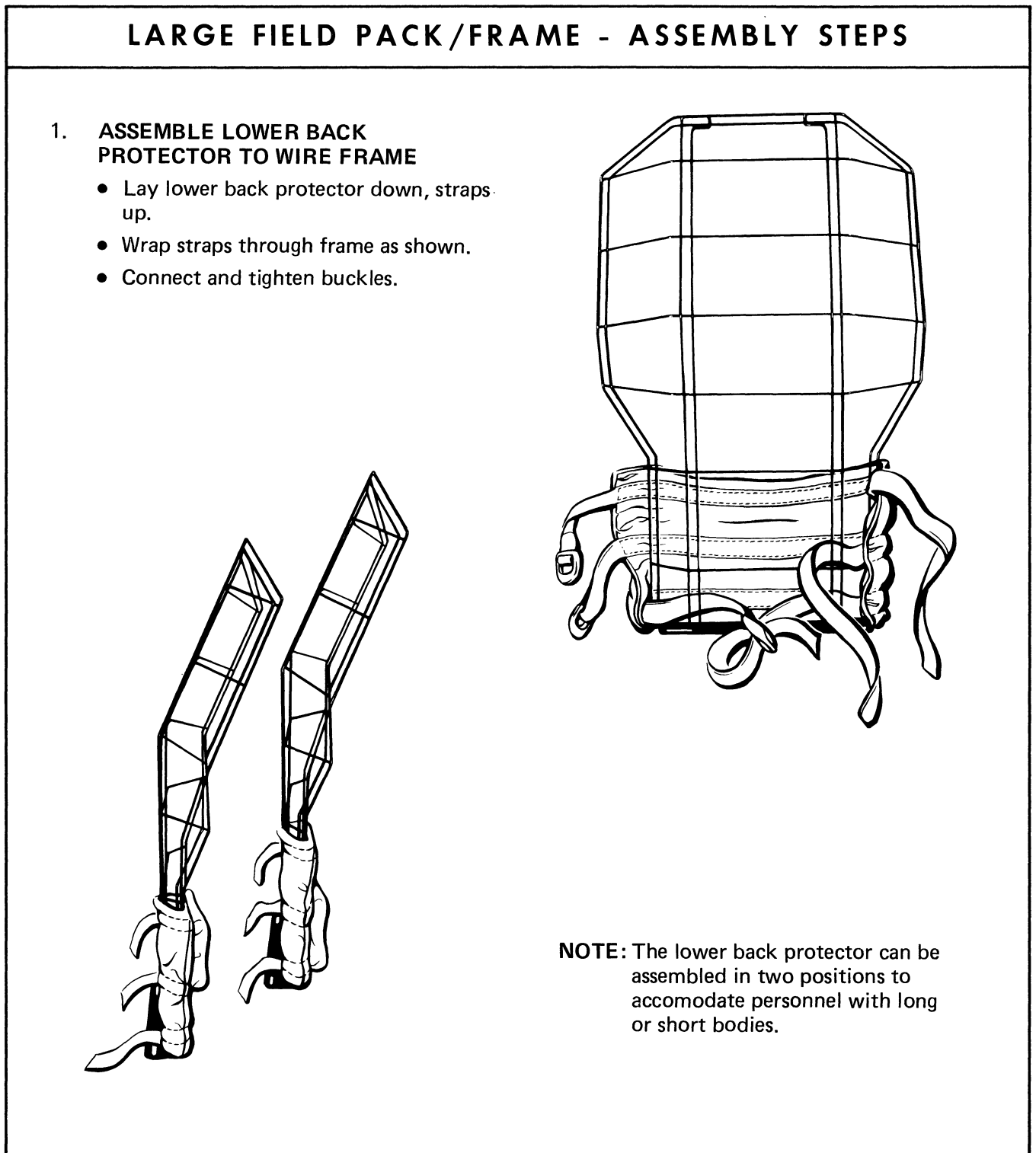
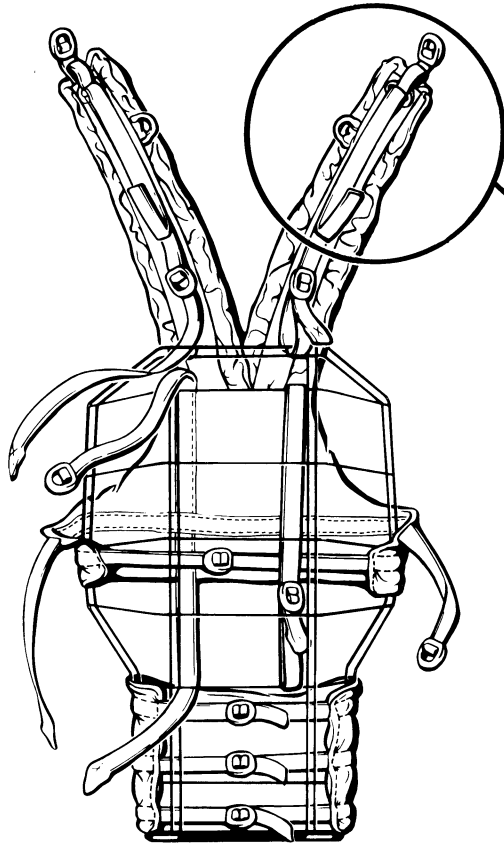
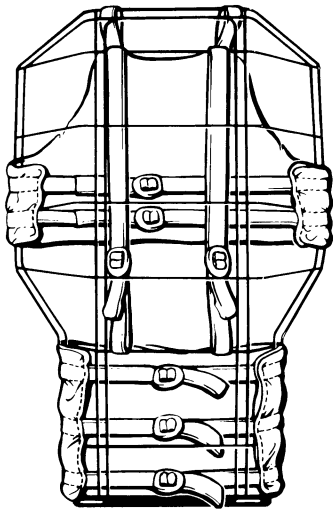
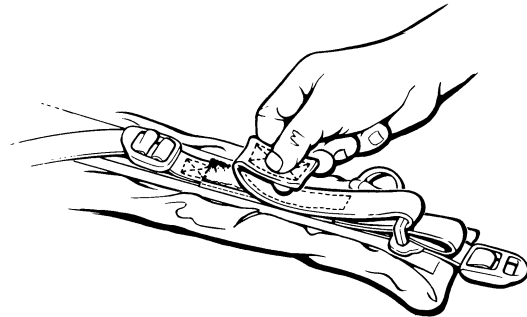
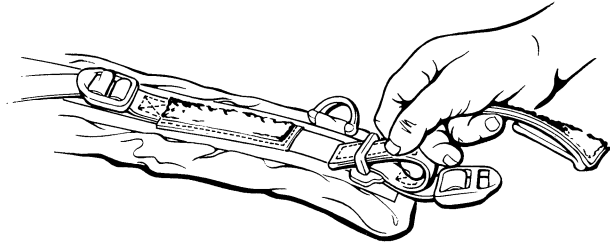
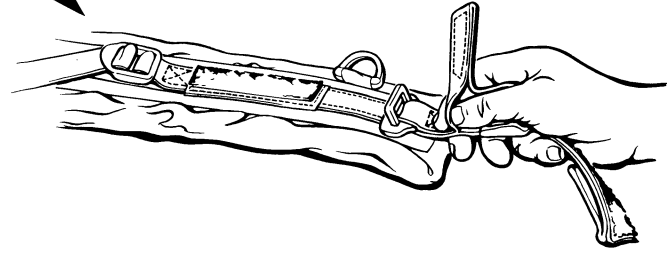


Figure 4-3 (Sheet 1 of 5) Large Field Pack/Frame – Assembly Steps



2. **ASSEMBLE SHOULDER HARNESS TO WIRE FRAME**

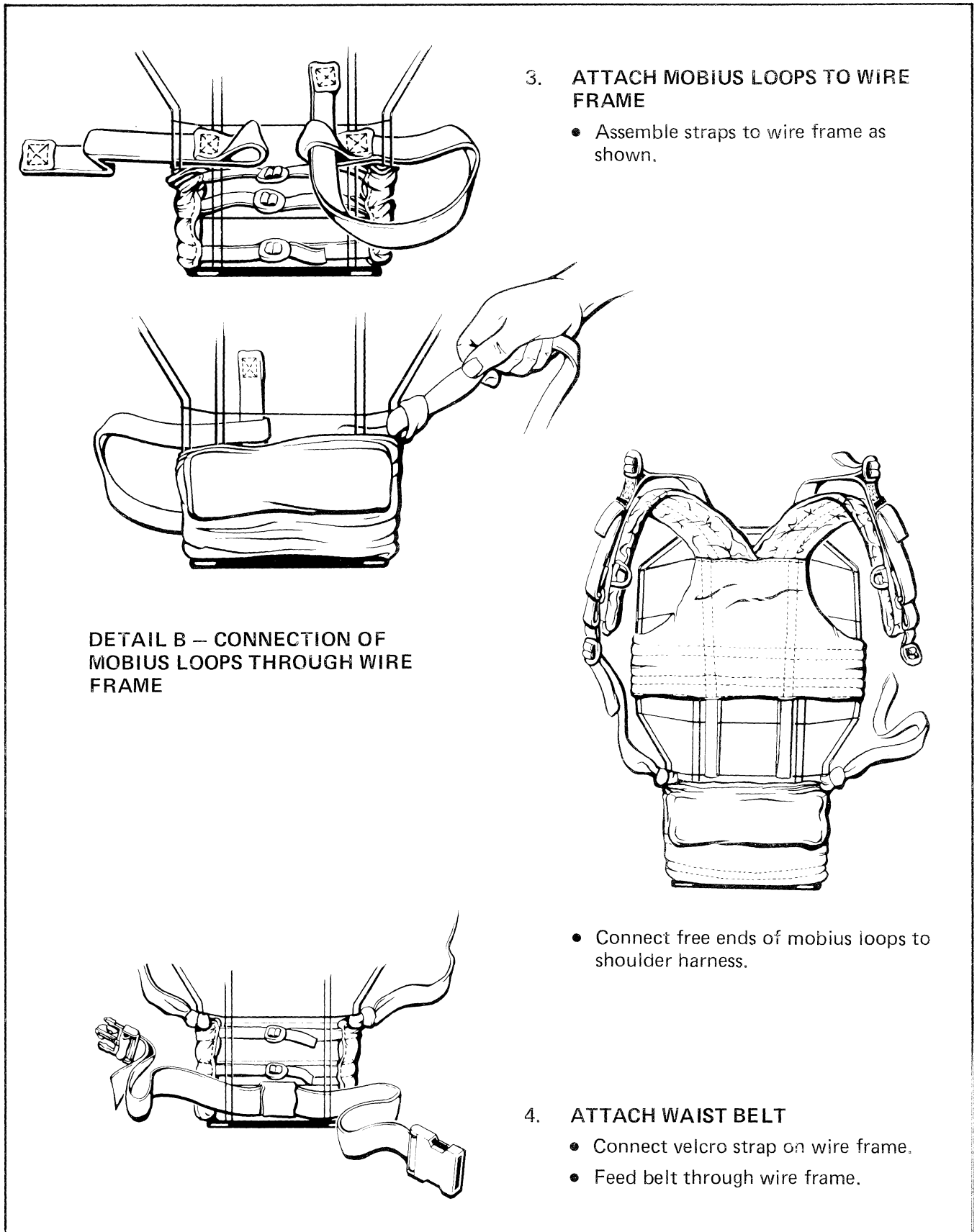
- Lay shoulder harness down, straps up.
- Wrap straps through frame as shown.
- Connect and tighten buckles.



DETAIL A – CONNECTION OF QUICK RELEASE STRAPS TO SHOULDER HARNESS

- Shoulder harness and lower back protector connected to wire frame in proper position.

Figure 4-3 (Sheet 2 of 5) Large Field Pack/Frame – Assembly Steps



3. ATTACH MOBIUS LOOPS TO WIRE FRAME

- Assemble straps to wire frame as shown.

DETAIL B – CONNECTION OF MOBIUS LOOPS THROUGH WIRE FRAME

- Connect free ends of mobius loops to shoulder harness.

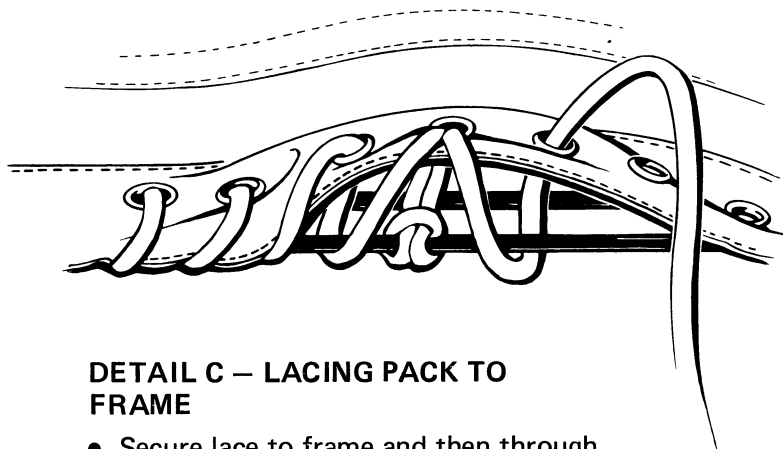
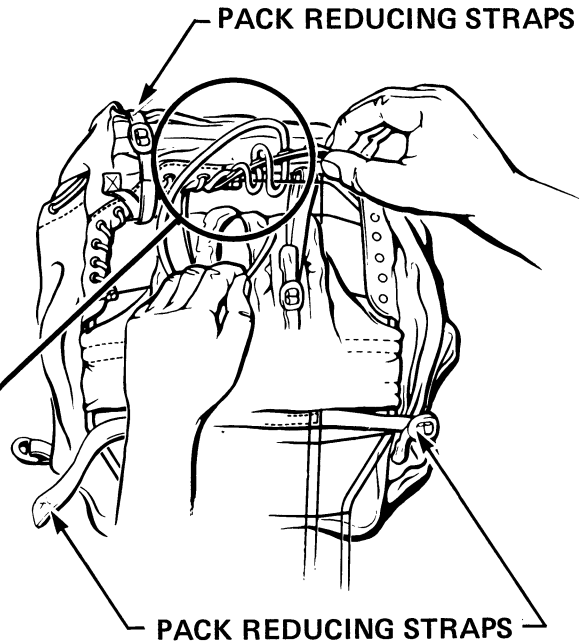
4. ATTACH WAIST BELT

- Connect velcro strap on wire frame.
- Feed belt through wire frame.

Figure 4-3 (Sheet 3 of 5) Large Field Pack/Frame – Assembly Steps

5. ASSEMBLE LARGE FIELD PACK TO FRAME

- Lay large pack flat, eyelets up.
- Position frame on pack and lace through wire frame. (see DETAIL C)
- Secure both free ends to frame after lacing completed.
- Secure both pack reducing straps:
 - on top of pack.
 - on side of pack.



DETAIL C – LACING PACK TO FRAME

- Secure lace to frame and then through eyelets in pack.

6. ATTACH SLEEPING BAG STRAPS

- Feed straps through wire frame and hooks on large pack.

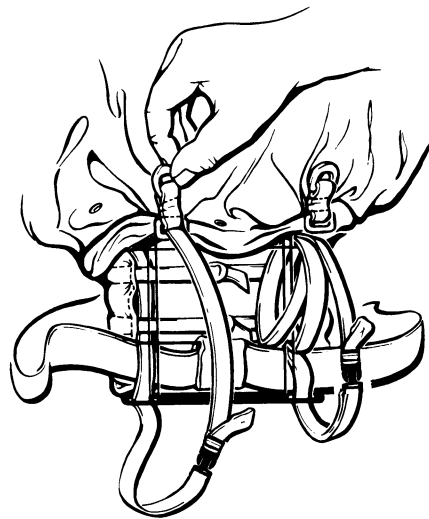


Figure 4-3 (Sheet 4 of 5) Large Field Pack/Frame – Assembly Steps

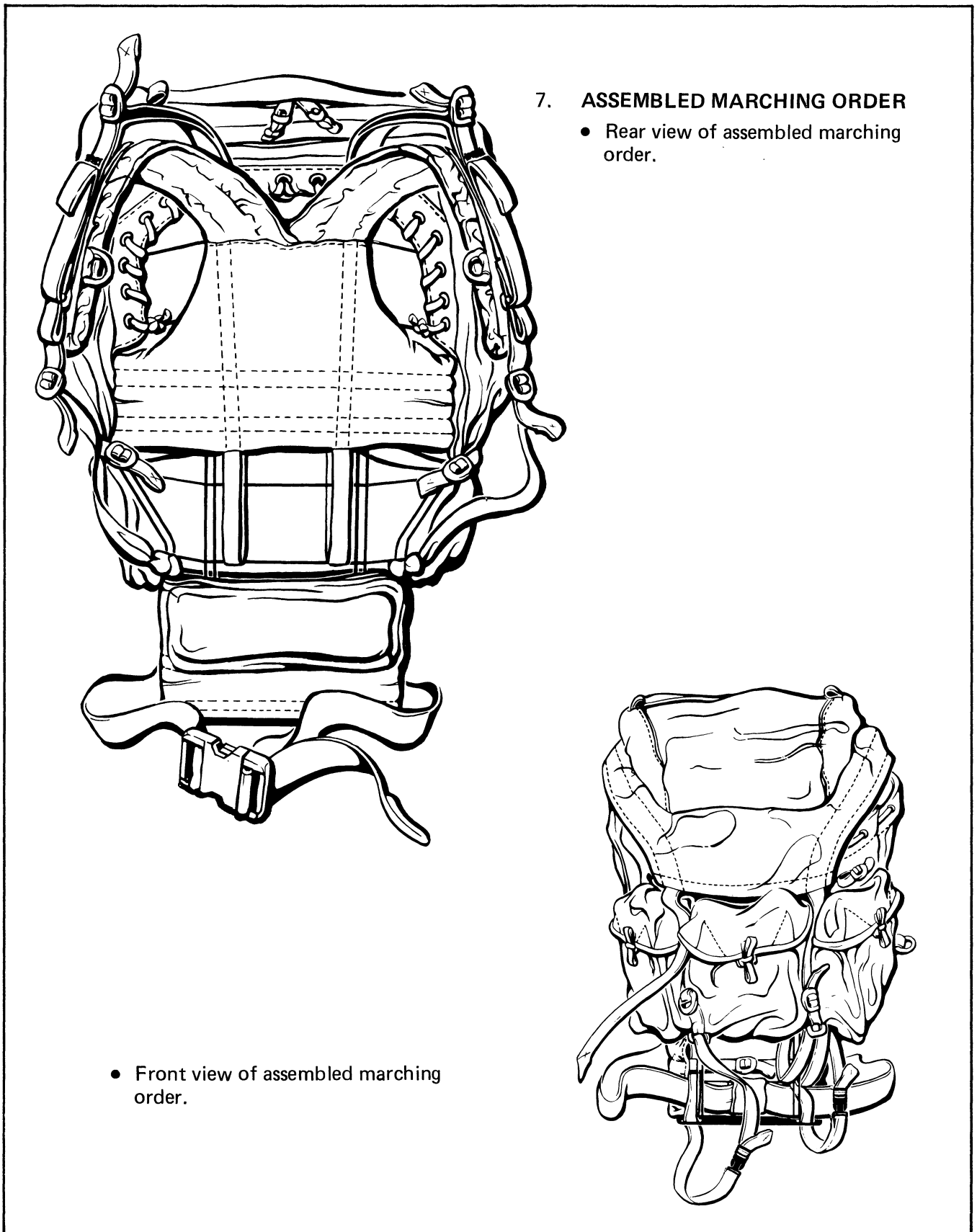


Figure 4-3 (Sheet 5 of 5) Large Field Pack/Frame – Assembly Steps

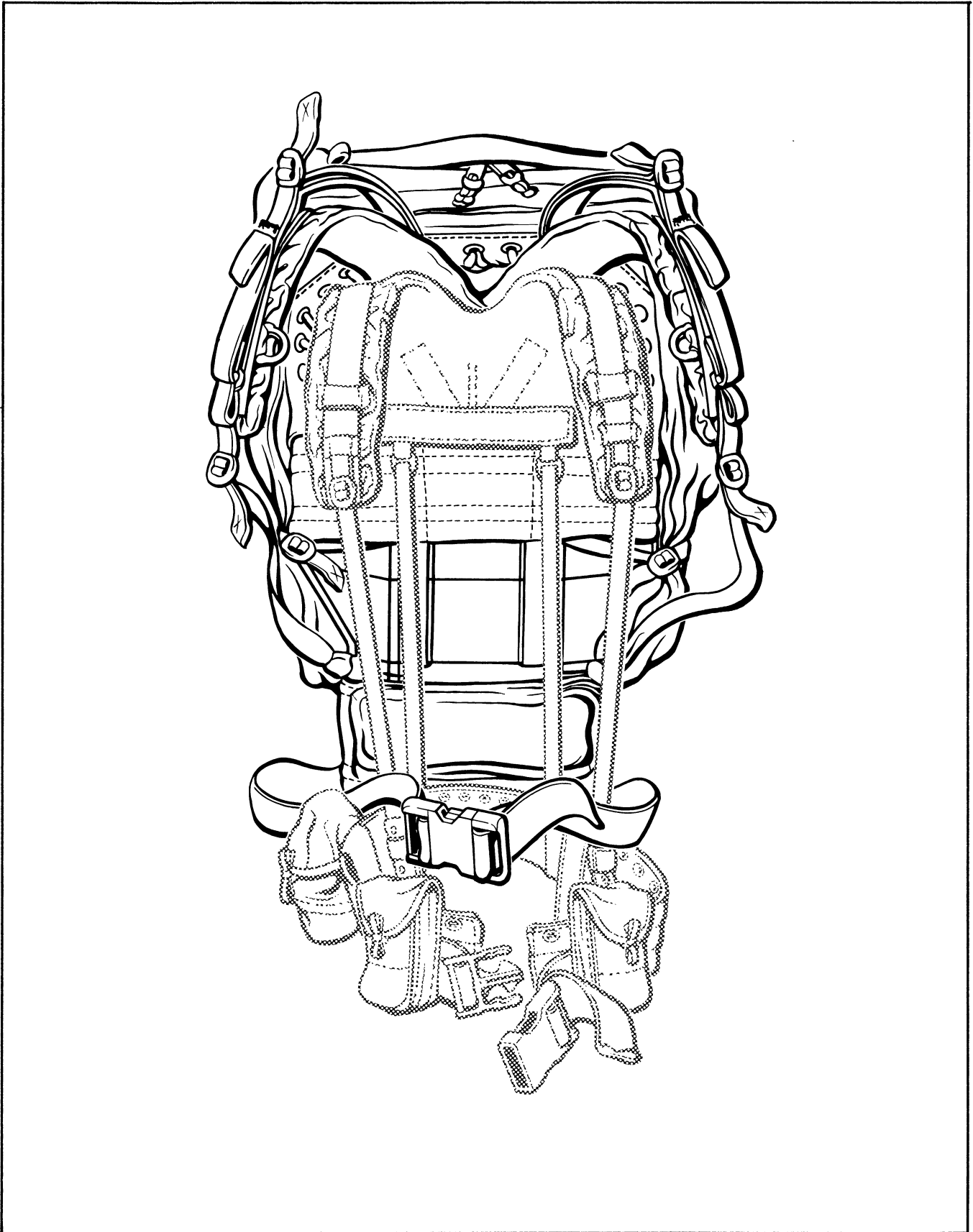


Figure 4-4 Marching Order

MARCHING ORDER AND THE SOLDIER

4. Refer to Figure 4-4 for details.

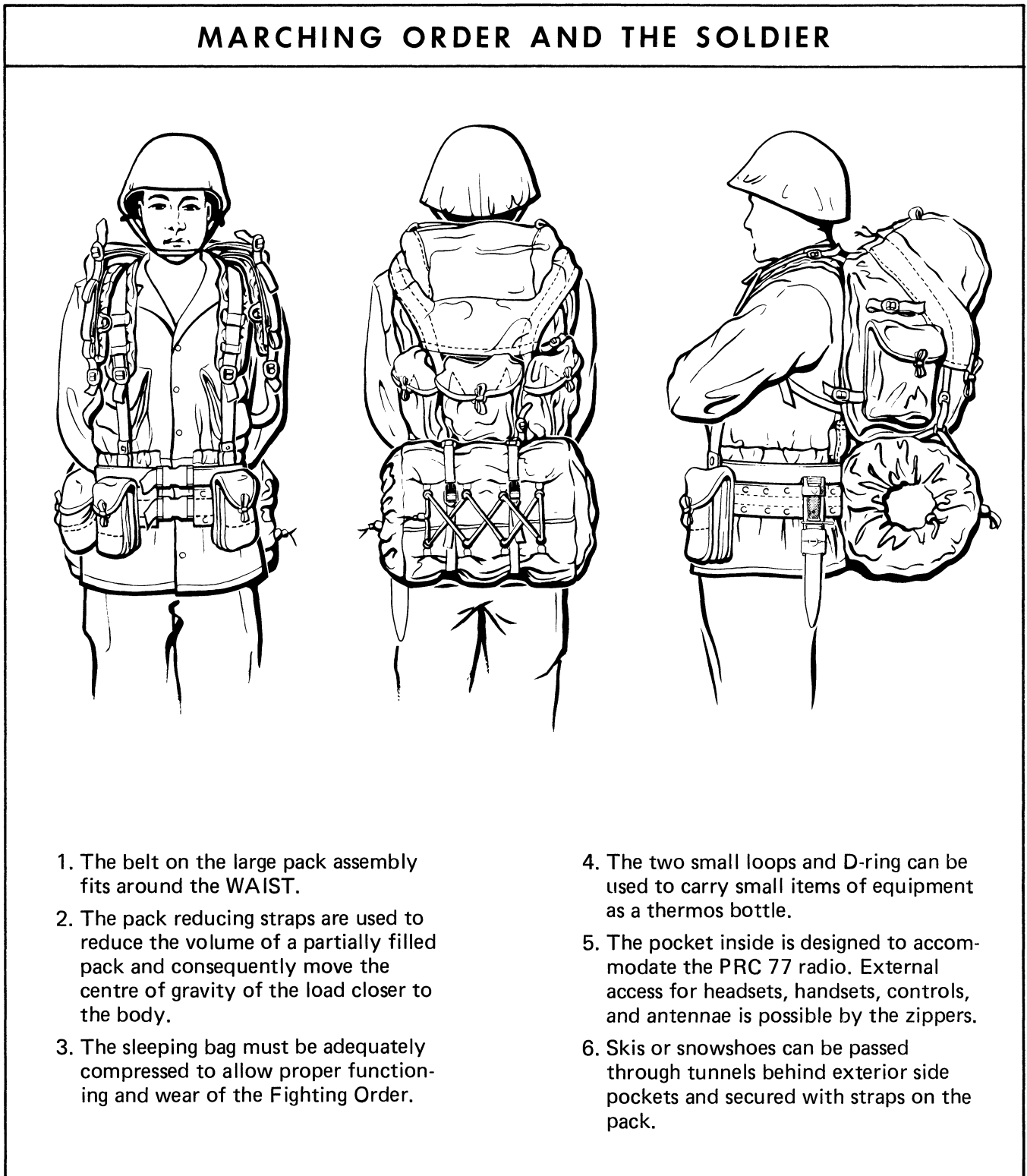


Figure 4-5 Marching Order and the Soldier

LARGE FIELD PACK – JETTISON

5. Refer to Figure 4-5 for details.

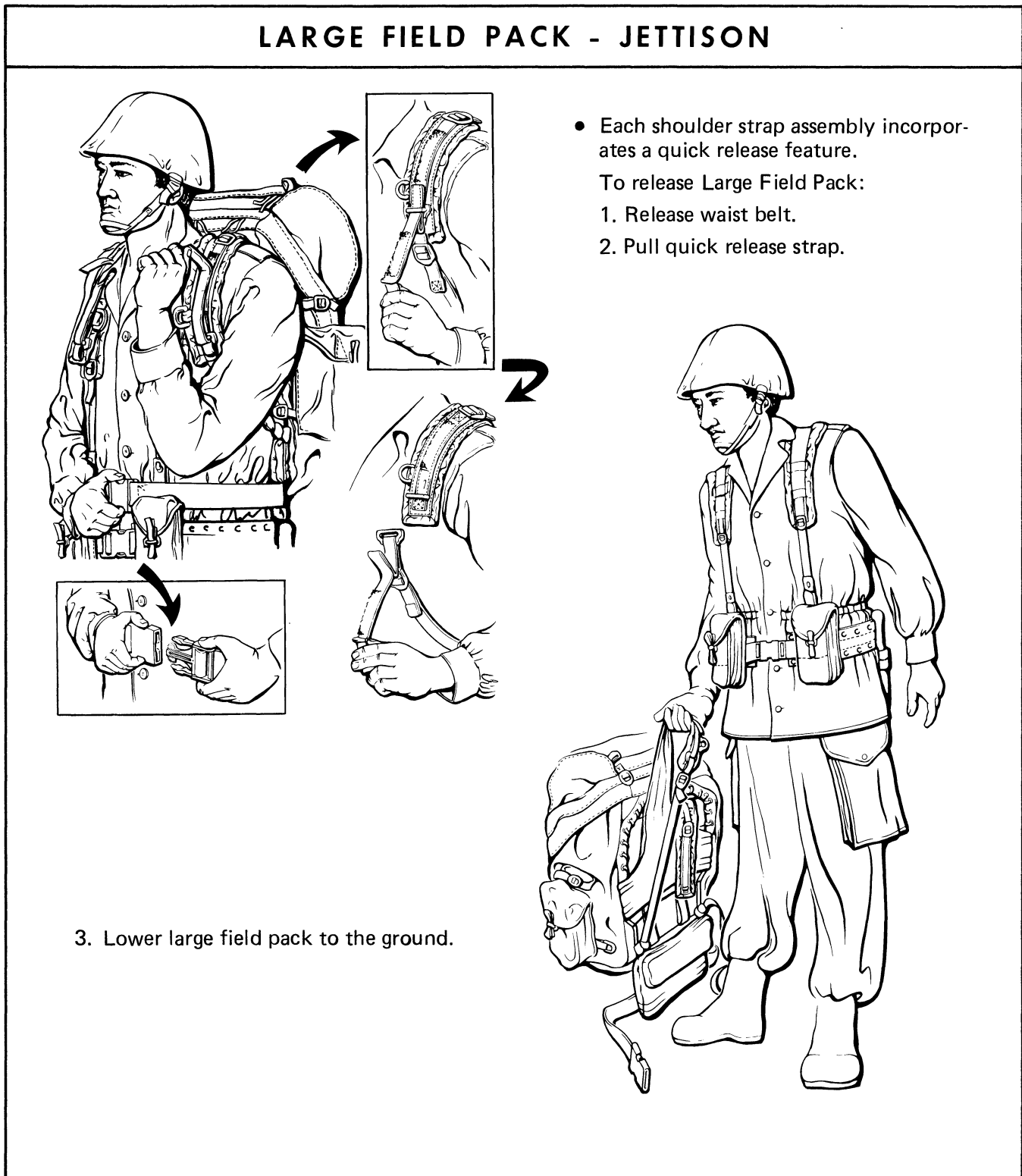


Figure 4-6 Large Field Pack – Jettison

PART 5**CLEANING AND MAINTENANCE****MATERIAL**

1. The components of the 1982 Pattern Webbing were manufactured using a polyurethane coated fabric which has water repellent properties.
2. Exception to the above are the utility belt – made of cotton webbing covered with nylon and the wire frame – made of a special pliable steel with a baked-on epoxy finish.

CLEANING PROCEDURE

3. The following procedure should be followed when cleaning:
 - a. Remove mud or dirt from equipment using a soft brush, damp cloth, or flat stick. **BE CAREFUL** not to puncture the fabric or cut the webbing.
 - b. Wet soiled surface of material and apply a warm solution of detergent or mild powdered soap. Scrub the area with soft brush, cloth, or sponge.
 - c. Use clean warm water to rinse the cleaning solution from the material.
 - d. Allow equipment to dry. **DO NOT** place in direct sunlight, direct heat, or open flame.
 - e. Scrub hook and pile fasteners (velcro) with soft brush to remove dirt and leave open to dry.
 - f. Lubricate slide fasteners (zippers) with wax, graphite, or hard soap on a regular basis.

MAINTENANCE

4. **FIELD EXPEDIENT** maintenance will be limited to the repair of damaged or loose stitching by hand sewing or taping.

PART 6

1982 PATTERN WEBBING LIST

			NATO Stock Number	Equipment Description	Quantity	
MARCHING ORDER	BATTLE ORDER	FIGHTING ORDER	Fighting Order – Common Components			
			8465-21-888-7111	Belt, Utility – Small	1	
			8465-21-888-7112	– Medium		
			8465-21-888-7113	– Large		
			8465-21-888-7105	Yoke	1	
			8465-21-888-7092	Hook – strap assembly, two hook type	4	
			8465-21-896-8167	Pouch, Magazine Utility/200 round	1	
			8465-21-888-7093	Cover, water canteen	1	
			Separately Demandable and Accountable Fighting Order – Associated Components			
			8465-21-888-7114	Carrier, KFS – C5 Knife	1	
8465-21-896-8168	Carrier, Bayonet Scabbard, 5.56 mm	1				
8465-21-896-8166	Pouch, Magazine, 30 round, 5.56 mm	2				
1095-21-889-2573	Holster, pistol 9 mm	1				
8465-21-888-7089	Carrier, combat shovel	1				
8465-21-907-9546	Carrier, Mask C4 NBC	1				
Battle Order Components						
	8465-21-888-7096	Field Pack, small c/w shoulder strap	1			
Marching Order Components						
	8465-21-888-7107	Large Pack Assembly	1			
	C-87-248-000/MB-001	Users Field Manual	1			

LARGE PACK ASSEMBLY**EQUIPMENT CHECK LIST – L-87-248-000/LC-001 (S84056)**

NATO Stock Number	Equipment Description	Quantity
8465-21-888-7107	Large Pack Assembly complete with	1
8465-21-888-7104	Back Protector, lower (1)	
8465-21-888-7102	Harness, Shoulder (1)	
8465-21-888-7103	Shoulder Strap, quick release (2)	
8465-21-888-7099	Waist Belt, adjustable (1)	
8465-21-888-7091	Loop, Web – 5 inch (1)	
8465-21-888-7094	Strap (mobius loops) (2)	
8465-21-888-7095	Strap, Sleeping (2)	
8465-21-888-7087	Field Pack, large (1)	
Separately Demandable and Accountable		
8465-21-888-7212	Frame, Wire	1
C-87-248-000/MB-001	Users Field Manual	1

ENSEMBLE SAC À DOS ET ARMATURE

LISTE DE VÉRIFICATION DE L'ÉQUIPEMENT – L-87-248-000/LC-001 (S84056)

Numéro de nomenclature OTAN	Description de l'équipement	Quantité
8465-21-888-7107	Ensemble sac à dos et armature comprenant les éléments suivants:	1
8465-21-888-7104	Dossier inférieure (1)	
8465-21-888-7102	Bretelles, avec armature (1)	
8465-21-888-7103	Bretelles, à dégagement rapide (2)	
8465-21-888-7099	Ceinturon, ajustable (1)	
8465-21-888-7091	Boucle, toile, 5 po (1)	
8465-21-888-7094	Courroies, (boucles de mobius) (2)	
8465-21-888-7095	Courroie, sac de couchage (2)	
8465-21-888-7087	Sac à dos (1)	
Équipement disponible et comptabilisé séparément		
8465-21-888-7212	Armature, métallique	1
C-87-248-000/MB-001	Manuel de l'utilisateur en campagne	1

PARTIE 6

LISTE DES ARTICLES DE TOILE DE 1982

Quantité	Description de l'équipement	Numéro de nomenclature OTAN				
Tenue de combat – éléments communs						
1	Ceinturon, utilitaire – petit	8465-21-888-7111	↑ TENUE DE COMBAT COMPLÈTE ↓	↑ TENUE DE ROUTE ↓		
1	— moyen	8465-21-888-7112				
1	— large	8465-21-888-7113				
1	Bretelles	8465-21-888-7105				
4	Ensemble courroie – agrafes, type à deux agrafes	8465-21-888-7092				
1	Porte-chargeur utilitaire/200 balles	8465-21-896-8167				
1	Sac à gourde	8465-21-888-7093				
A commander et à comptabiliser séparément						
Tenue de combat – éléments connexes						
1	Étui couteau, fourchette et cuiller – couteau C5	8465-21-888-7114			↑ TENUE DE COMBAT ↓	↑ TENUE DE ROUTE ↓
1	Support fourreau de Baïonnette	8465-21-896-8168				
2	Porte-chargeur, 30 balles 5.56 mm	8465-21-896-8166				
1	Étui, pistolet de 9 mm	1095-21-889-2573				
1	Étui, pelle de combat	8465-21-888-7089				
1	Étui, masque C4 NBC	8465-21-907-9546				
Eléments de la tenue de combat complète						
1	Musette, avec bandoulière	8465-21-888-7096	↑ TENUE DE COMBAT COMPLÈTE ↓	↑ TENUE DE ROUTE ↓		
Eléments de la tenue de route						
1	Ensemble sac à dos et armature	8465-21-888-7107				
1	Manuel de l'utilisateur en campagne	C-87-248-000/MB-001				

PARTIE 5

NETTOYAGE ET ENTRETIEN

MATÉRIEL

1. Les articles de toile de 1982 sont enduits de polyuréthane qui a des propriétés hydrofuges.
2. Il y a cependant deux exceptions: le ceinturon utilitaire est en coton recouvert de nylon et l'armature est fabriquée d'acier pliable recouvert d'époxycuit.

PROCÉDURE DE NETTOYAGE

3. Le procédé de nettoyage est le suivant:

- a. Enlever la boue ou la saleté de l'équipement au moyen d'une brosse douce, d'un torchon humide ou d'un bâtonnet. ATTENTION de perforer ou de couper le tissu ou la toile.

- b. Humecter la tache et appliquer une solution tiède de détergent ou de savon doux en poudre. Frotter avec une brosse douce, un torchon ou une éponge.

- c. Rincer à l'eau tiède propre.

- d. Laisser sécher le matériel. NE PAS le placer au soleil, près d'une source de chaleur ou d'un feu.

- e. Frotter l'agrafe et les courroies velcro avec une brosse douce pour enlever la saleté, et les étendre pour les faire sécher.

- f. Lubrifier régulièrement les fermetoirs avec de la cire, du graphite ou avec un pain de savon.

ENTRETIEN

4. L'ENTRETIEN RAPIDE EN CAMPAGNE doit se limiter à la réparation de coutures coupées ou lâches au moyen de ruban gommé ou en les cousant à la main.

SAC À DOS - DÉLESTAGE

- Chaque bretelle comprend un dispositif de dégagement rapide.
Pour enlever le sac à dos:
1. Détacher le ceinturon.
2. Tirer sur la courroie à dégagement rapide.

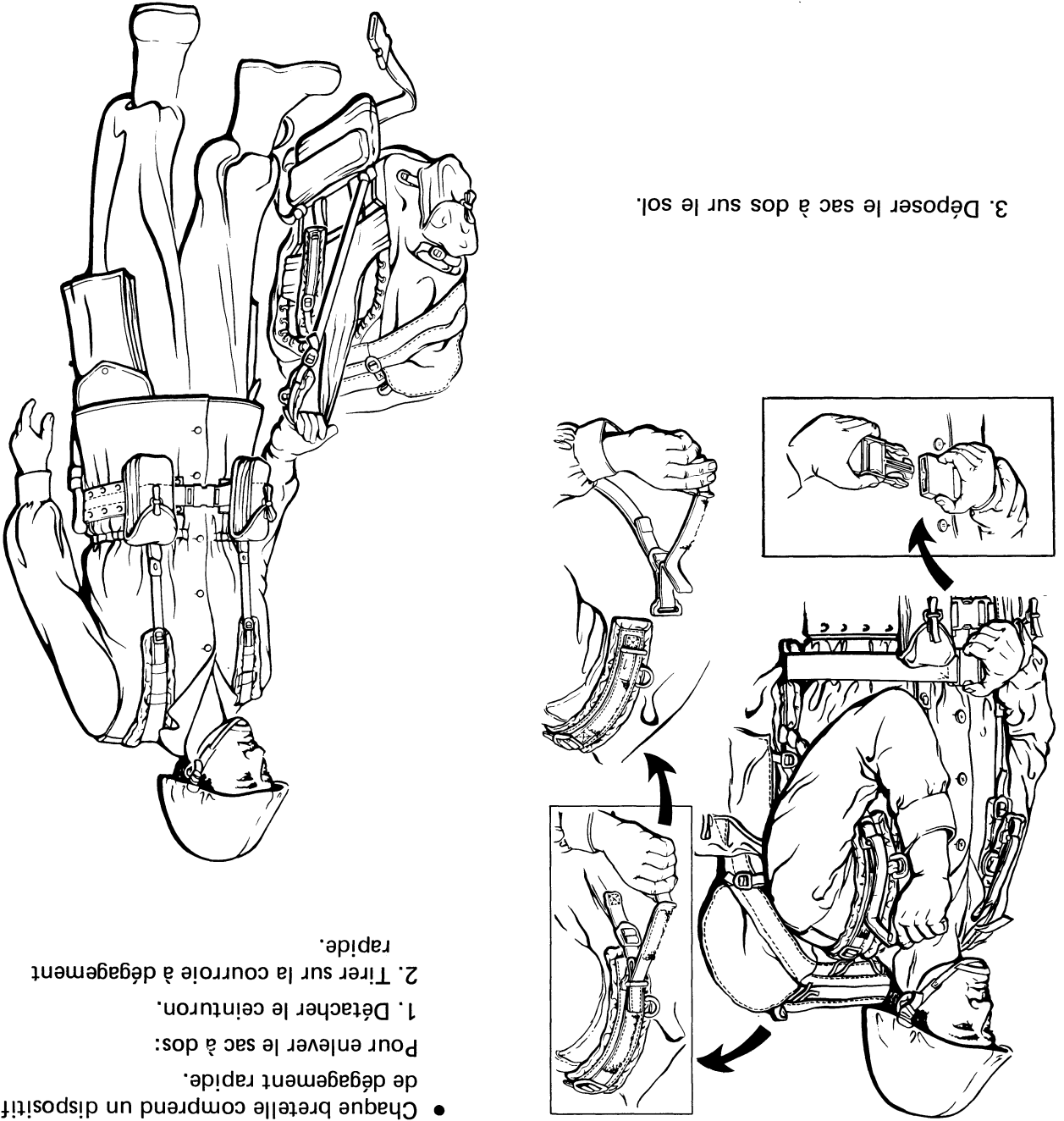


Figure 4-6 Sac à dos – Délestage

4. Voir la figure 4-4.

LA TENUE DE ROUTE ET LE SOLDAT

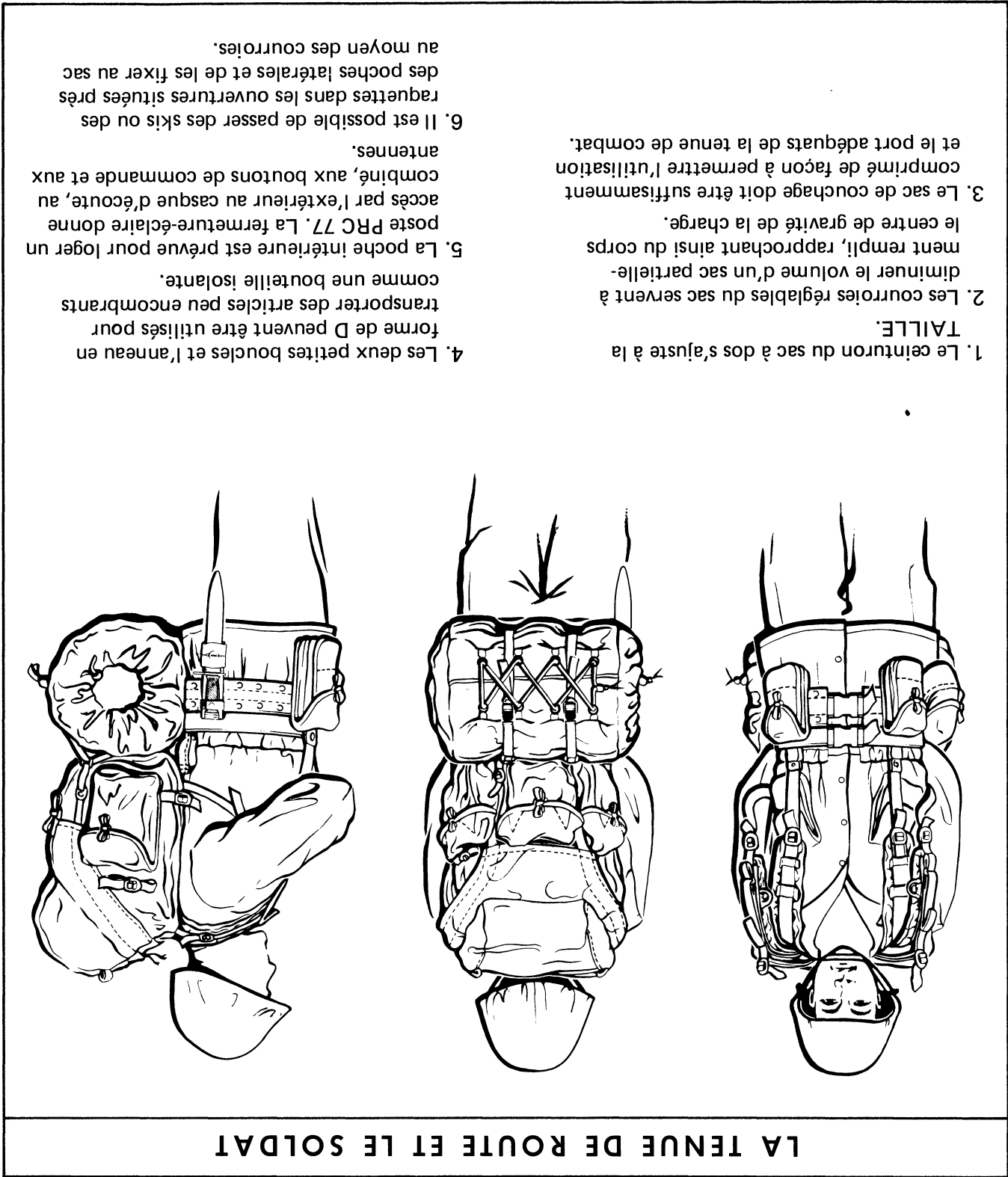


Figure 4-5 La tenue de route et le soldat

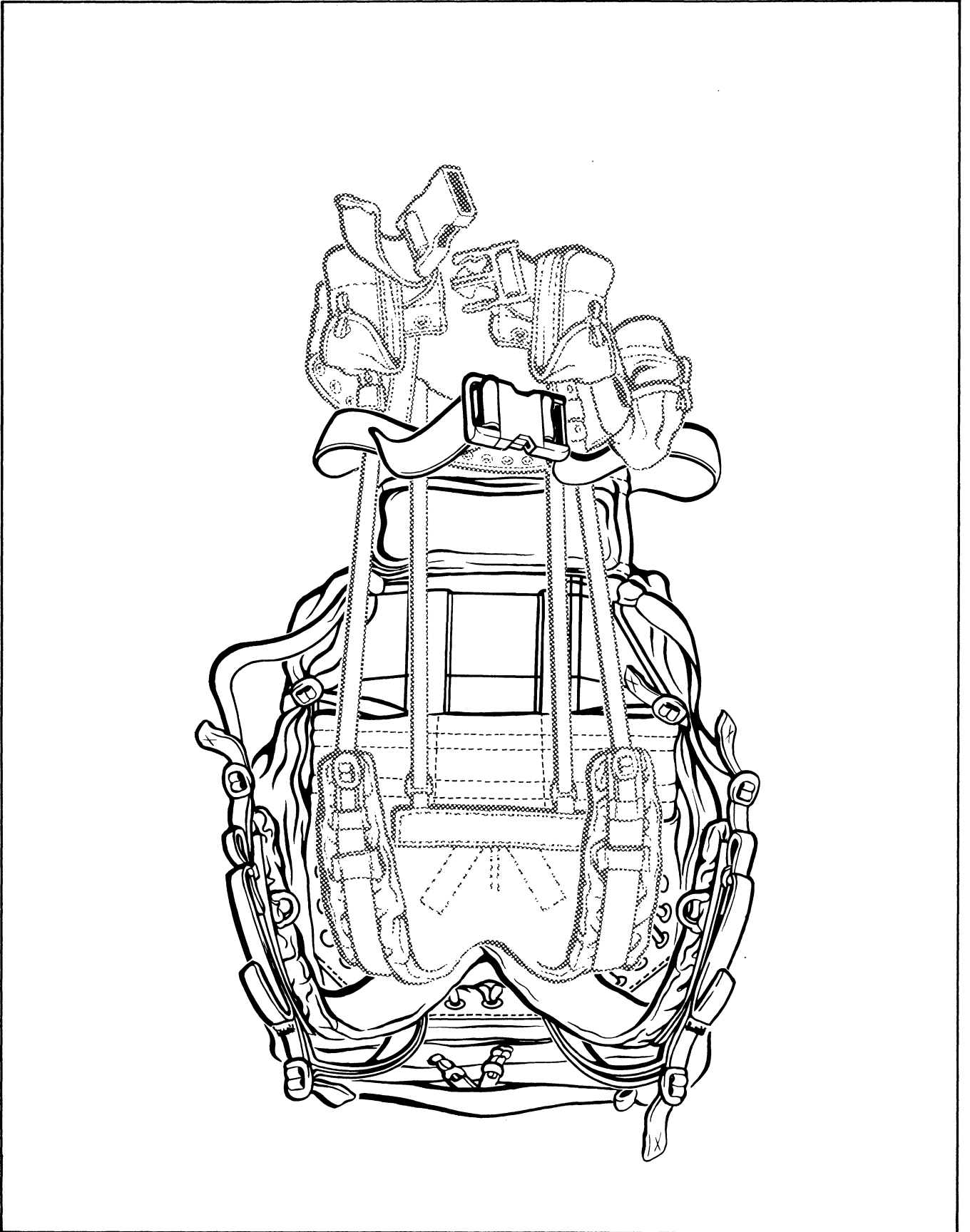
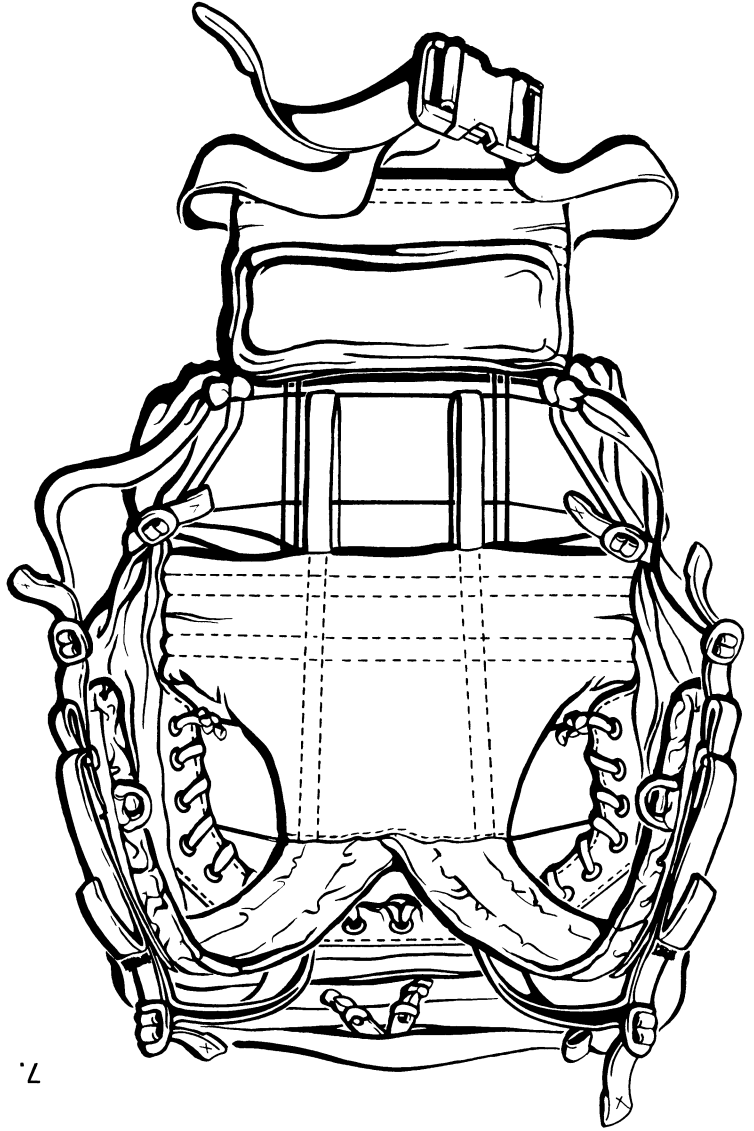


Figure 4-4 La tenue de route

7. TENUE DE ROUTE ASSEMBLÉE

- Vue arrière de la tenue de route assemblée.



- Vue avant de la tenue de route assemblée.

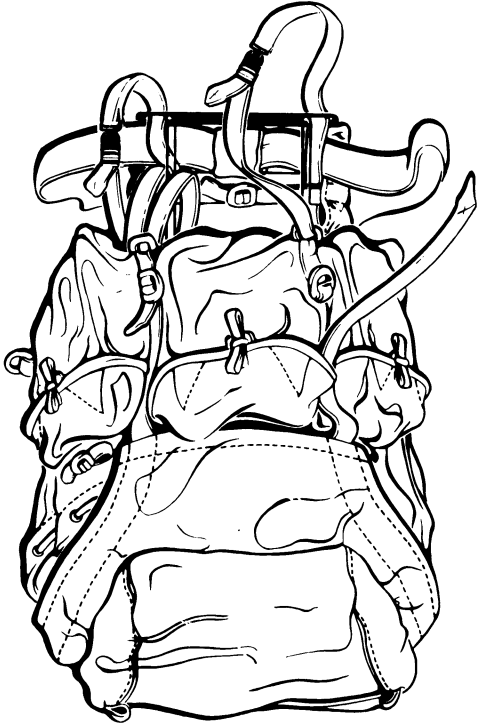
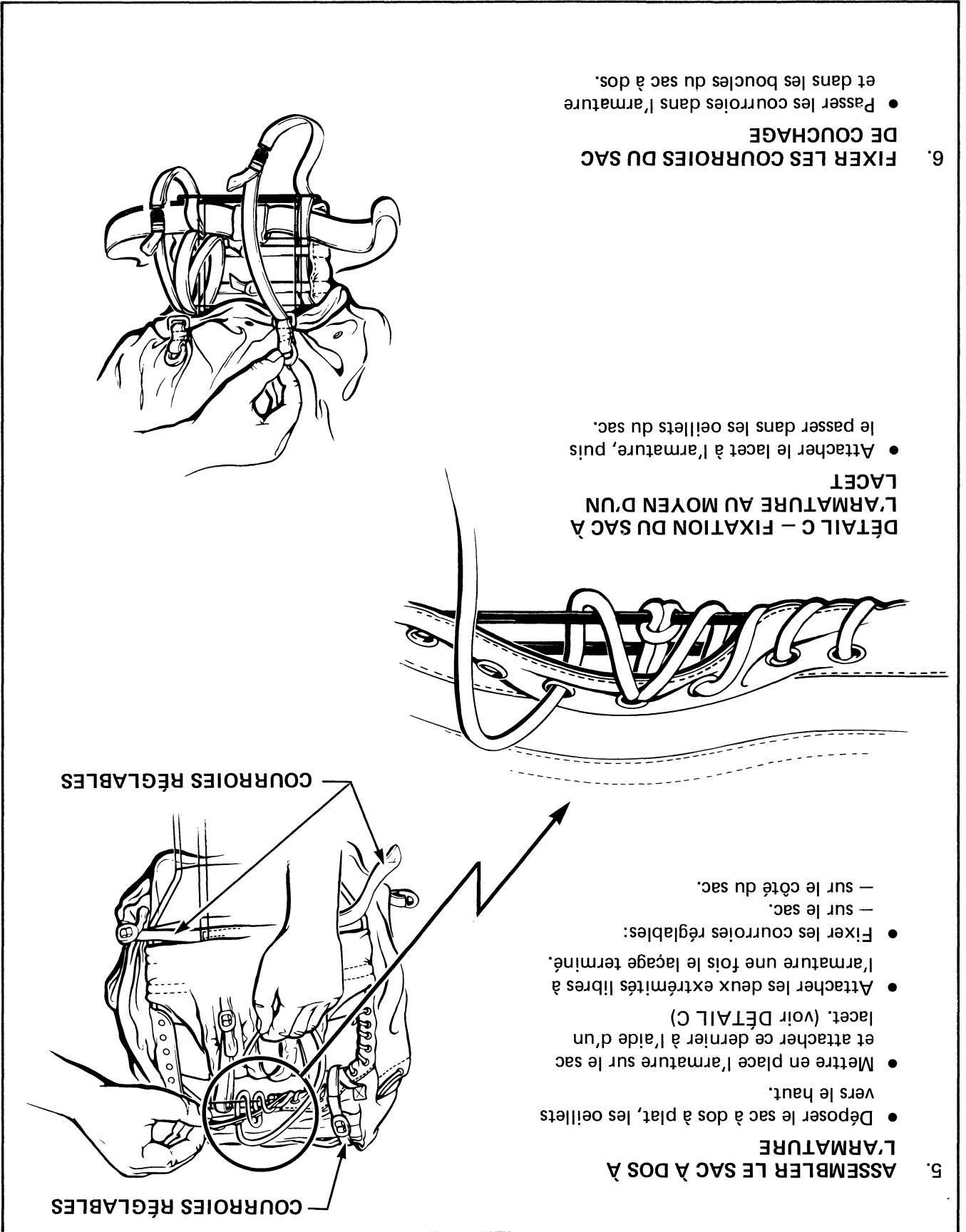
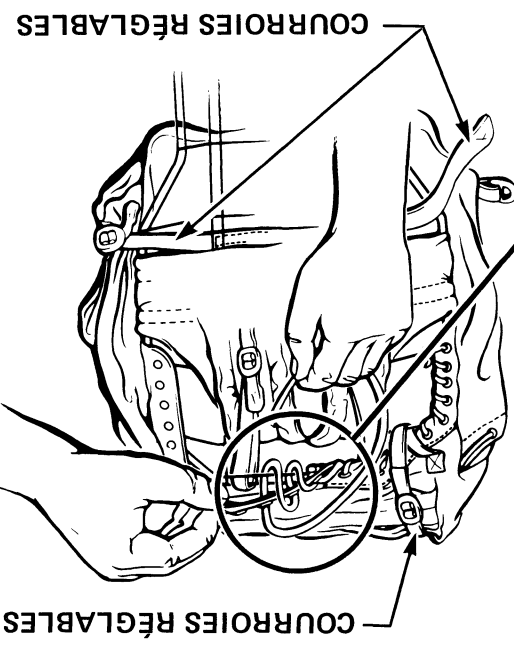


Figure 4-3 (Page 5 de 5) Sac à dos et armature – étapes d'assemblage



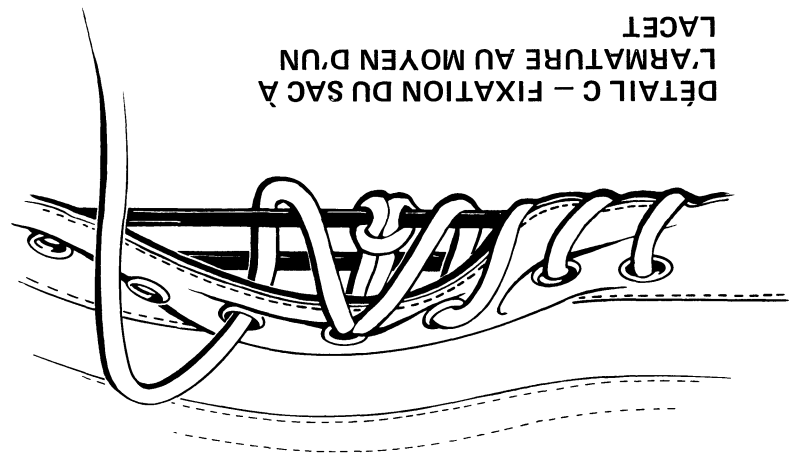
5. ASSEMBLER LE SAC À DOS À L'ARMATURE

- Déposer le sac à dos à plat, les oeillets vers le haut.
- Mettre en place l'armature sur le sac et attacher ce dernier à l'aide d'un lacet. (voir DÉTAIL C)
- Attacher les deux extrémités libres à l'armature une fois le lacage terminé.
- Fixer les courroies réglables:
 - sur le sac.
 - sur le côté du sac.



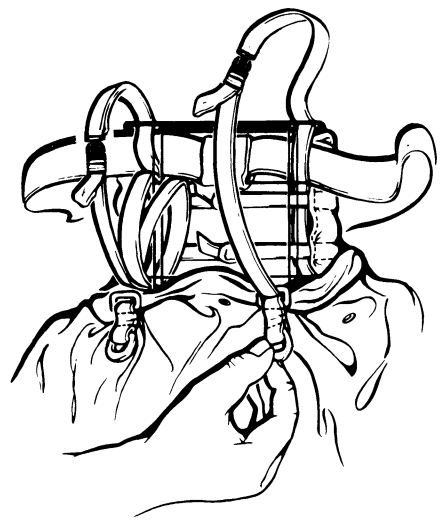
DÉTAIL C – FIXATION DU SAC À L'ARMATURE AU MOYEN D'UN LACET

- Attacher le lacet à l'armature, puis le passer dans les oeillets du sac.



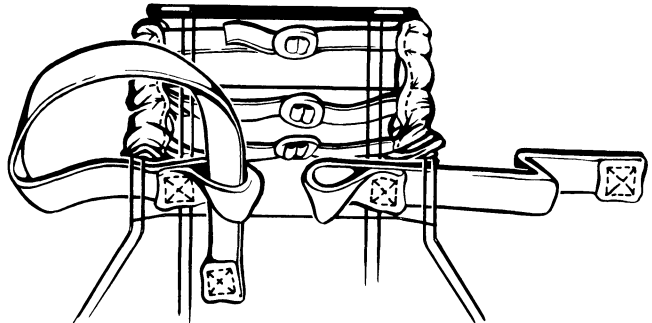
6. FIXER LES COURROIES DU SAC DE COUCHAGE

- Passer les courroies dans l'armature et dans les boucles du sac à dos.

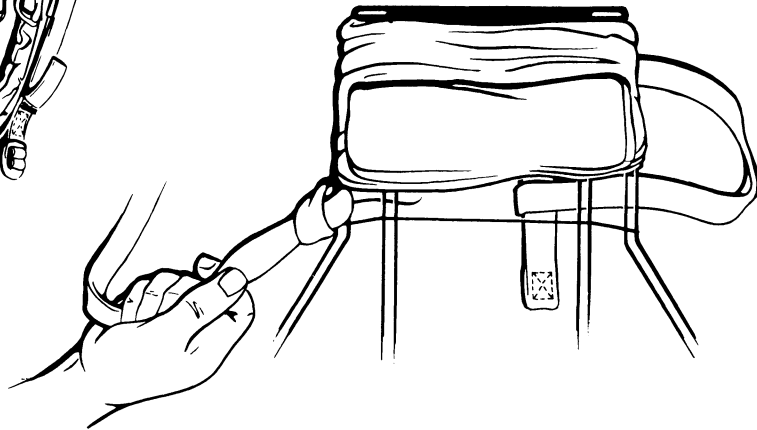


3. ATTACHER LES BOUCLES DE MOBIOUS À L'ARMATURE

- Fixer les courroies à l'armature comme dans l'illustration.



DÉTAIL B – FACON DE PASSER LA BOUCLE DE MOBIOUS DANS L'ARMATURE



- Fixer les extrémités libres des boucles de mobius aux bretelles.

4. FIXER LE CEINTURON

- Attacher les courroies velcro à l'armature.
- Passer le ceinturon dans l'armature.

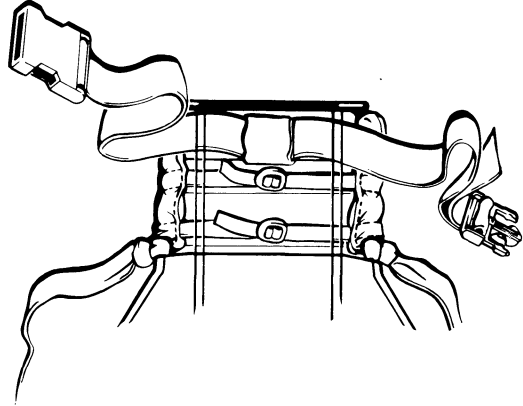
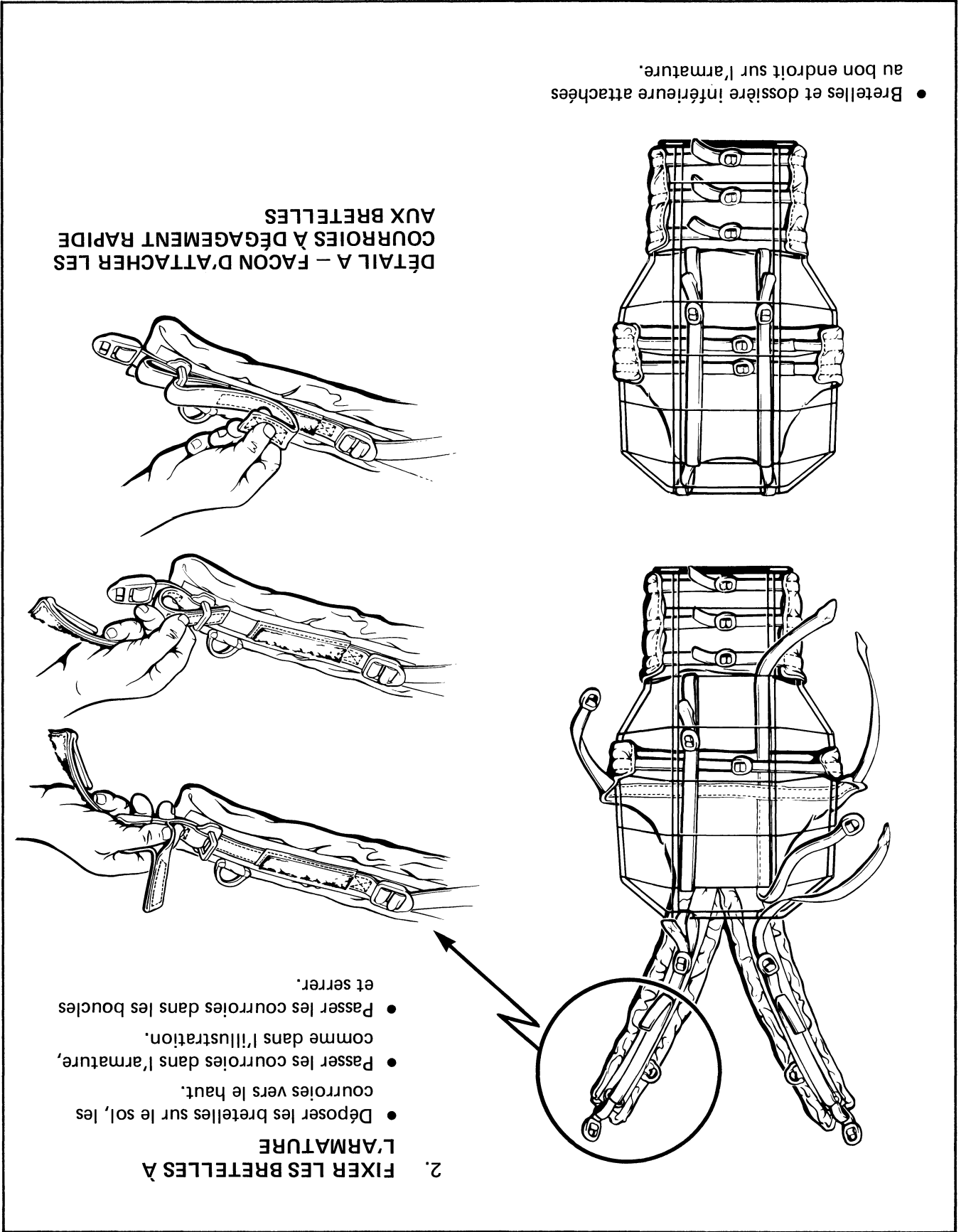
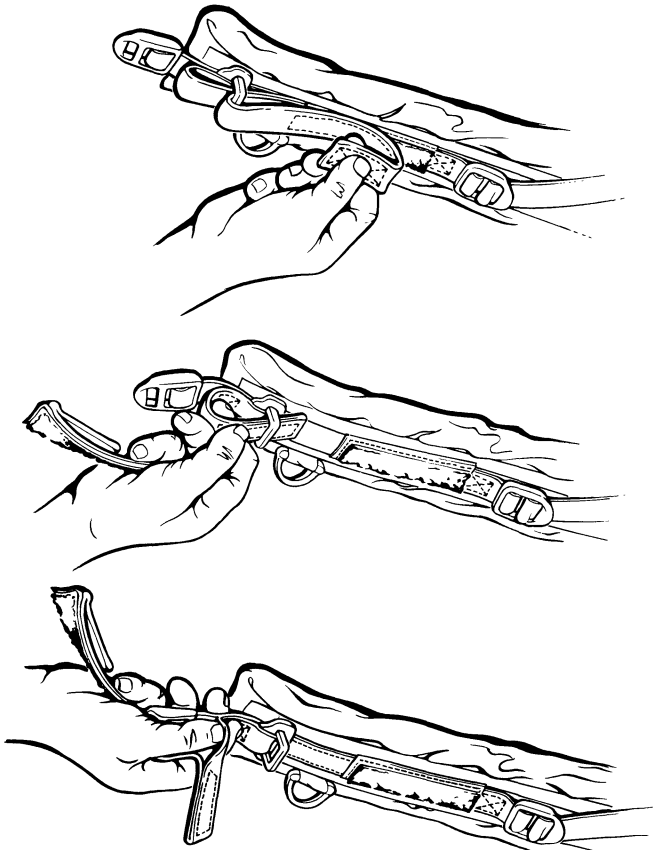


Figure 4-3 (Page 3 de 5) Sac à dos et armature – étapes d'assemblage



- Bretelles et dossier inférieure attachées au bon endroit sur l'armature.

DÉTAIL A – FACON D'ATTACHER LES COURROIES À DÉGAGEMENT RAPIDE AUX BRETELLES



- Déposer les bretelles sur le sol, les courroies vers le haut.
- Passer les courroies dans l'armature, comme dans l'illustration.
- Passer les courroies dans les boucles et serrer.

2. FIXER LES BRETELLES À L'ARMATURE

Figure 4-3 (Page 2 de 5) Sac à dos et armature — étapes d'assemblage

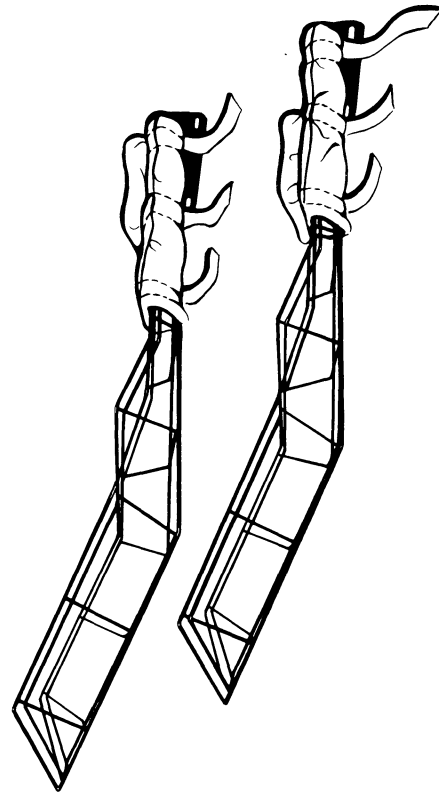
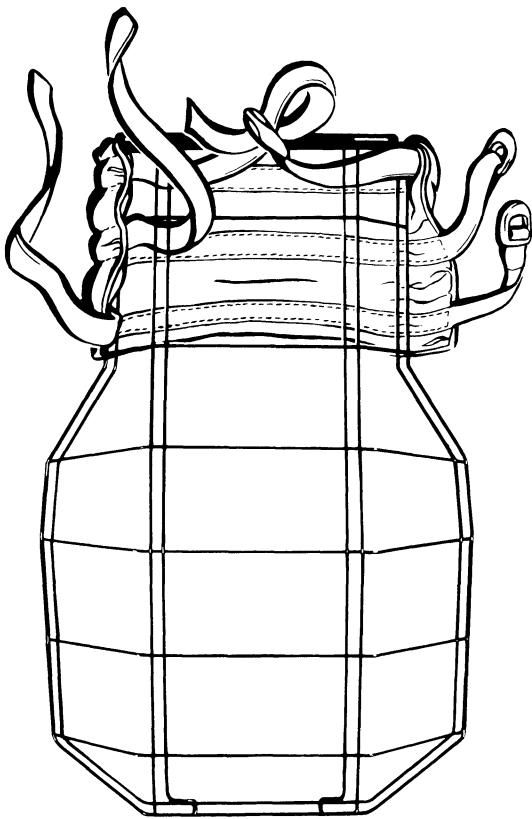
SAC À DOS ET ARMATURE – ÉTAPES D'ASSEMBLAGE

3. L'assemblage du sac à l'armature se fait dans un ordre précis, et tous les éléments doivent être placés à l'endroit prévu. Les étapes d'assemblage sont illustrées à la figure 4-3.

SAC À DOS ET ARMATURE - ÉTAPES D'ASSEMBLAGE

1. FIXER LA DOSSIÈRE INFÉRIEURE À L'ARMATURE

- Étendre la dossière inférieure sur le sol, les courroies vers le haut.
- Passer les courroies dans l'armature, comme dans l'illustration.
- Passer les courroies dans les boucles et serrer.



NOTA: La dossière inférieure peut être assemblée selon deux positions pour s'adapter à la taille de l'utilisateur.

Figure 4-3 (Page 1 de 5) Sac à dos et armature – étapes d'assemblage

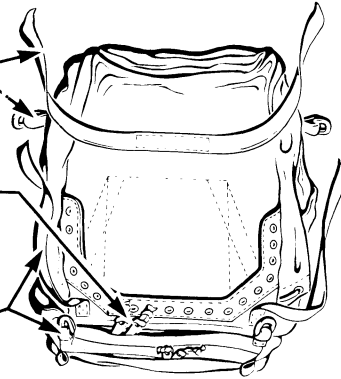
- 8. SAC À DOS**
- Sert à transporter le matériel indispensable, les vêtements, les vivres et les articles personnels.
 - Peut transporter un poste PRC 77 et donner accès de l'extérieur aux boutons de commande.



COURROIES RÉGLABLES

OUVERTURE D'ACCÈS AU POSTE PRC 77

COURROIES RÉGLABLES



SAC POUR POSTE PRC 77

COURROIES D'ATTACHE DE SKIS

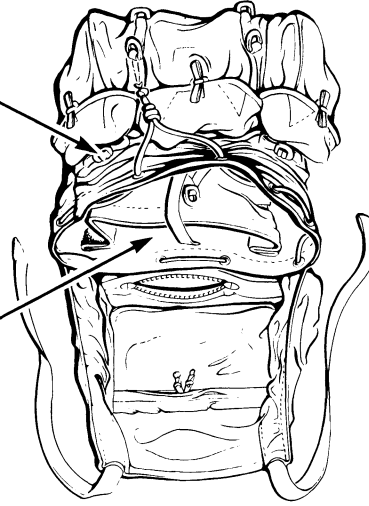
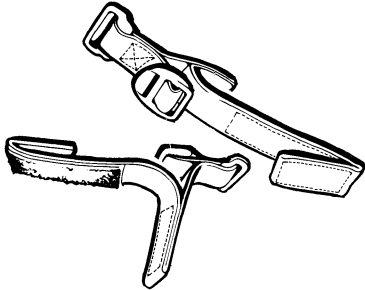


Figure 4-2 (Page 3 de 3) Éléments de la tenue de route

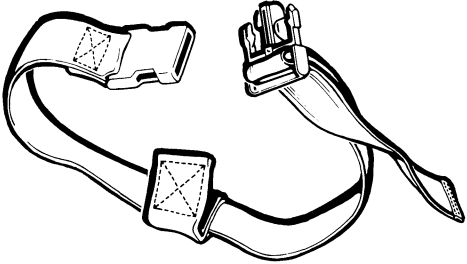
4. COURROIES À DÉGAGEMENT RAPIDE

- Ces courroies s'attachent aux bretelles et permettent un dégagement rapide du sac à dos.



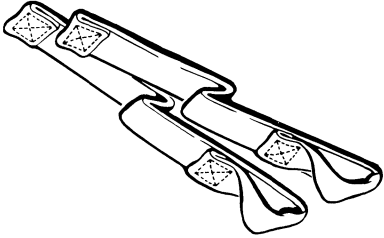
5. CEINTURON ET BOUCLE VELCRO

- Ceinturon entièrement ajustable.



6. BOUCLE DE MOBIUS

- Courroie qui, après torsion, permet l'assemblage à l'armature.



7. COURROIES DE SAC DE COUCHAGE

- Les courroies s'attachent à l'armature et retiennent en place le sac de couchage.

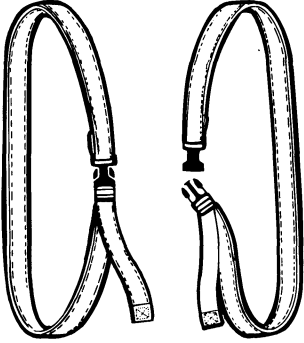
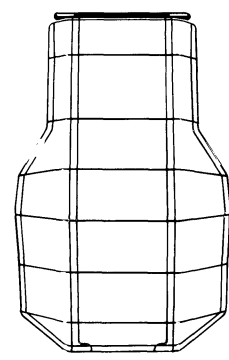
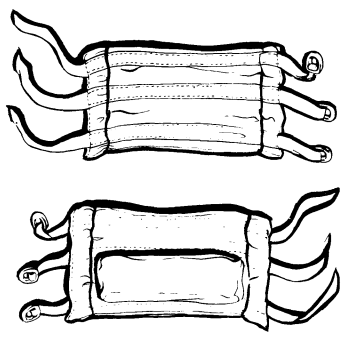
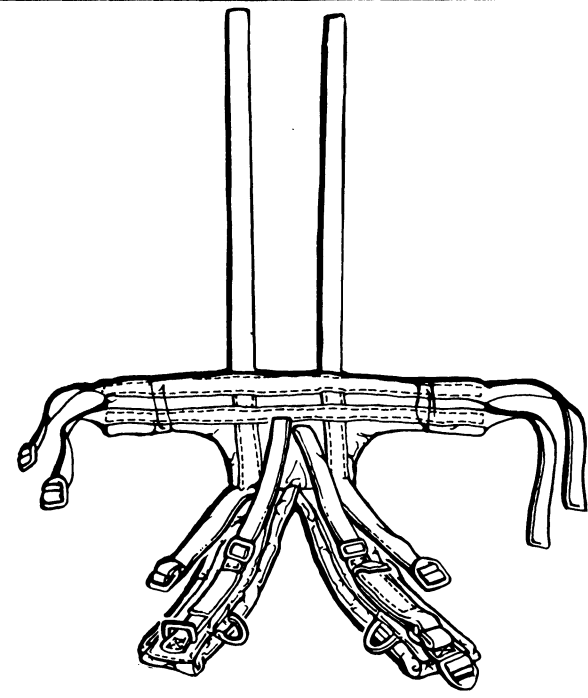


Figure 4-2 (Page 2 de 3) Éléments de la tenue de route

ÉLÉMENTS DE LA TENUE DE ROUTE

2. Les éléments de la tenue de route sont illustrés à la figure 4-2.

ÉLÉMENTS DE LA TENUE DE ROUTE

<p>1. ARMATURE MÉTALLIQUE</p> <ul style="list-style-type: none"> • Armature métallique préformée servant à soutenir les éléments de la tenue de route. 	<p>2. DOSSIÈRE INFÉRIEURE</p> <ul style="list-style-type: none"> • S'attache à l'armature pour assurer confort et appui pendant le transport des charges. 	<p>3. BRETELLES</p> <ul style="list-style-type: none"> • Une fois fixées à l'armature, peuvent s'adapter à différentes tailles. 
--	--	--

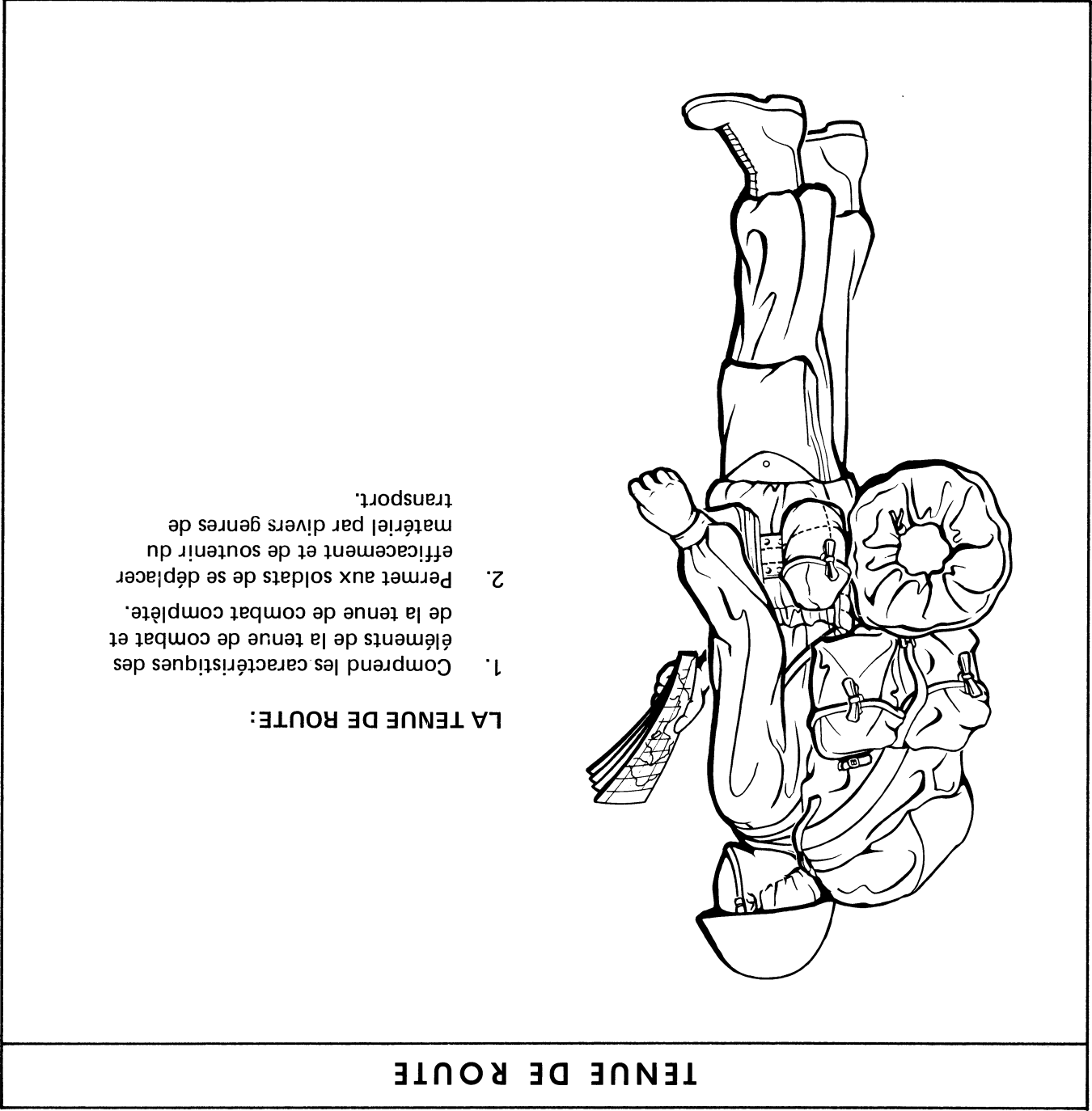
PARTIE 4

TENUE DE ROUTE

INTRODUCTION

1. La tenue de route comprend la tenue de combat complète plus les articles nécessaires à un soldat dans la zone de combat pendant une période indéfinie. La tenue de route est illustrée à la figure 4-1.

TENUE DE ROUTE

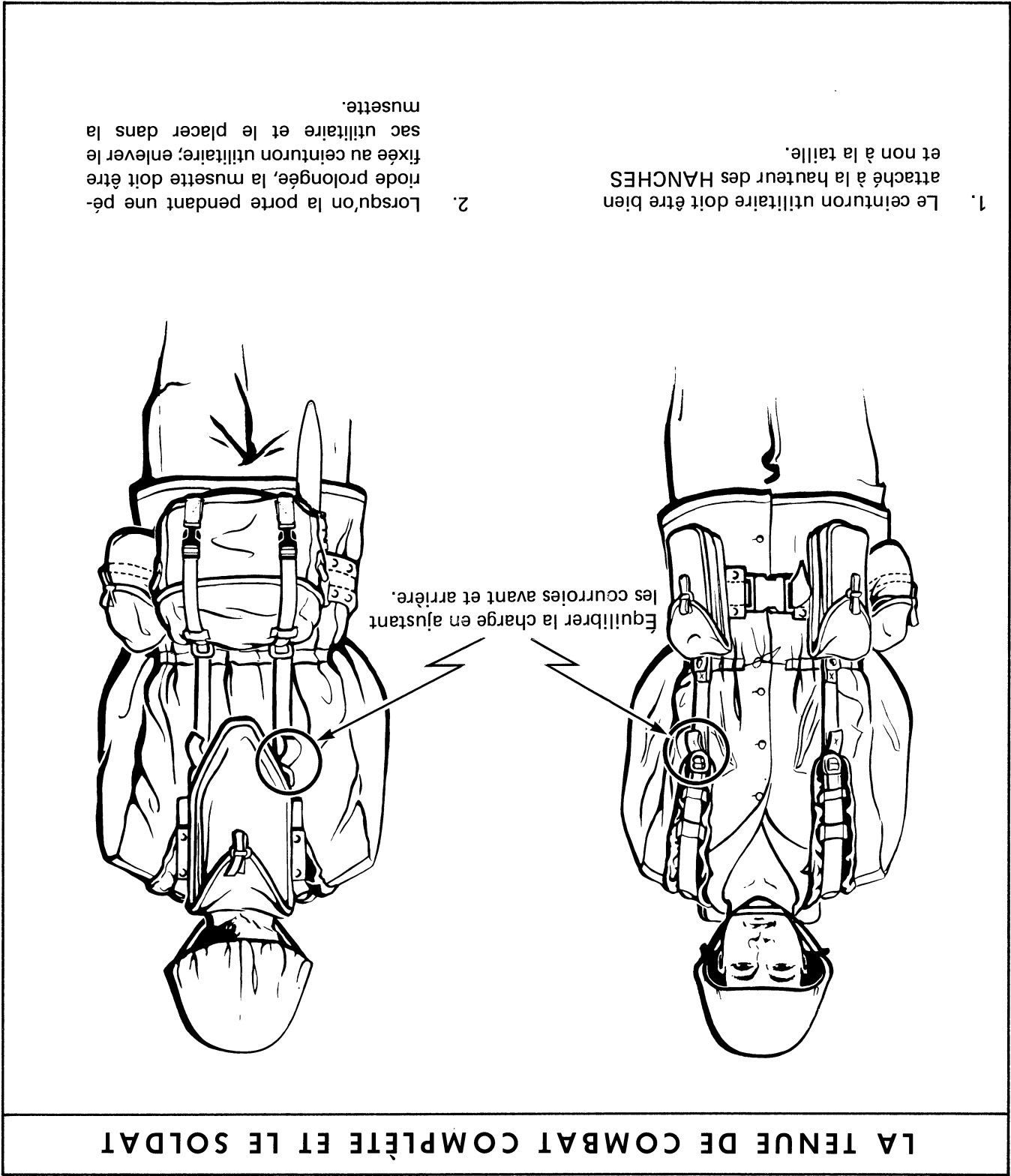


LA TENUE DE ROUTE:

1. Comprend les caractéristiques des éléments de la tenue de combat et de la tenue de combat complète.
2. Permet aux soldats de se déplacer efficacement et de soutenir du matériel par divers genres de transport.

Figure 4-1 Tenue de route

Figure 3-5 La tenue de combat complète et le soldat



LA TENUE DE COMBAT COMPLÈTE ET LE SOLDAT

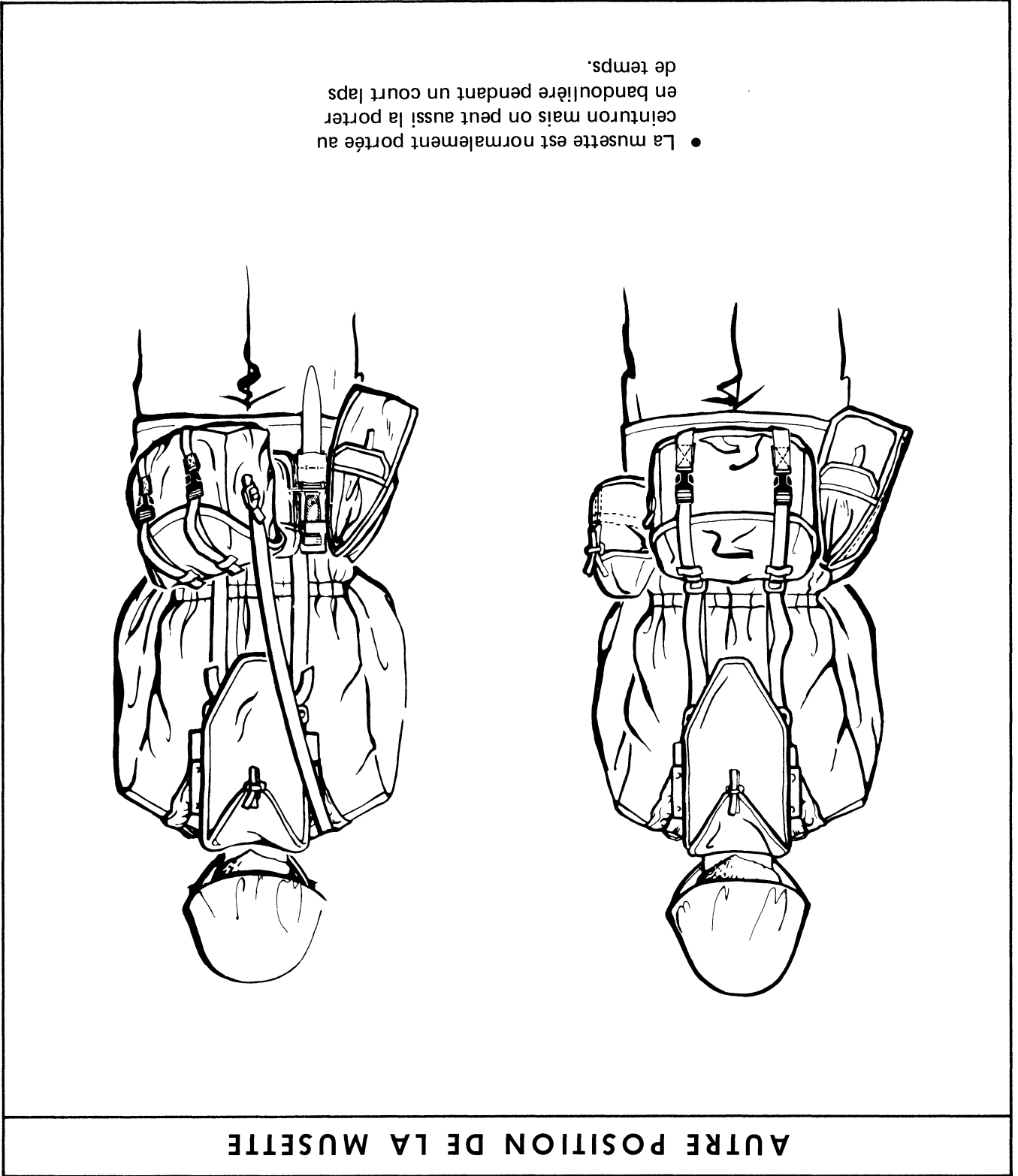
5. Voir la figure 3-5.

LA TENUE DE COMBAT COMPLÈTE ET LE SOLDAT

AUTRE POSITION DE LA MUSETTE

4. L'autre position de la musette est illustrée à la figure 3-4.

AUTRE POSITION DE LA MUSETTE



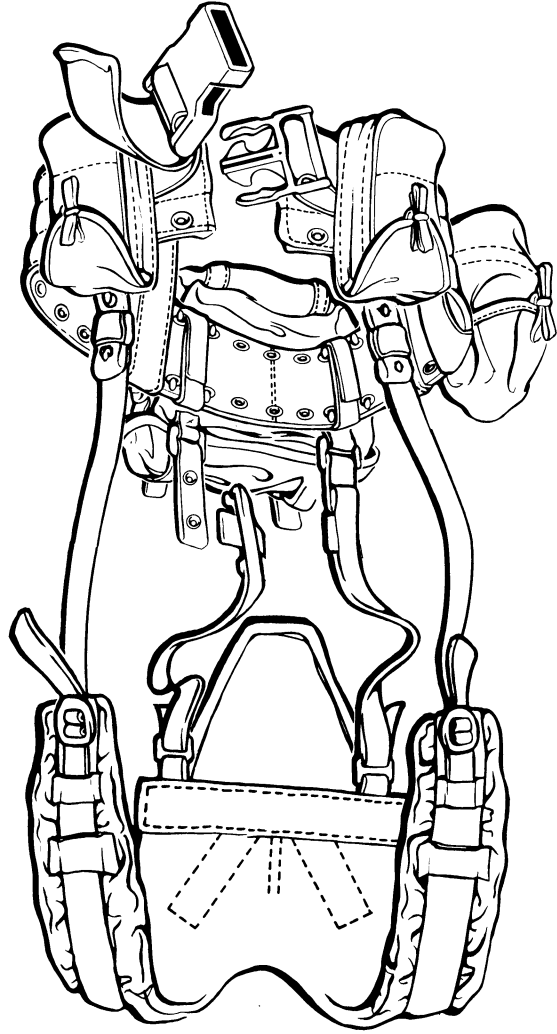
- La musette est normalement portée au ceinturon mais on peut aussi la porter en bandoulière pendant un court laps de temps.

Figure 3-4 Autre position de la musette

TENUE DE COMBAT COMPLÈTE – ÉTAPES D'ASSEMBLAGE

3. Les éléments existants de la tenue de combat constituent l'ensemble de base des articles en toile, et l'on y ajoute la musette. Les étapes d'assemblage sont illustrées à la figure 3-3.

TENUE DE COMBAT COMPLÈTE - ÉTAPES D'ASSEMBLAGE



1. FIXER LA MUSETTE AU CEINTURON UTILITAIRE

- Enlever le sac utilitaire et les ensembles courroies-agraves.
- Mettre le sac utilitaire dans la musette.
- Fixer à nouveau les courroies-agraves à la musette.

Figure 3-3 Tenue de combat complète — étapes d'assemblage

2. Les éléments de la tenue de combat complète sont illustrés à la figure 3-2.

ÉLÉMENTS DE LA TENUE DE COMBAT COMPLÈTE

MUSETTE

- Sert à transporter le sac utilitaire et divers articles, au besoin.

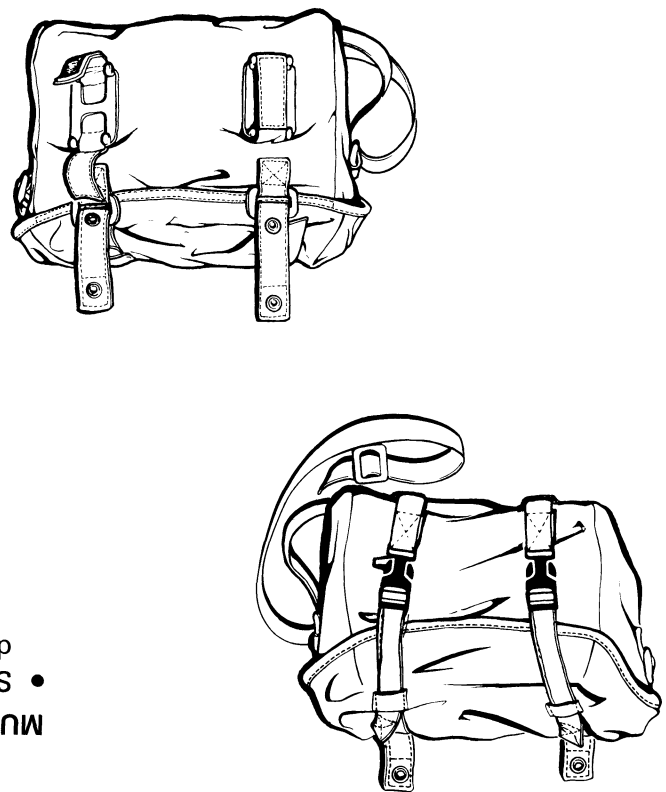


Figure 3-2 Éléments de la tenue de combat complète

PARTIE 3

TENUE DE COMBAT COMPLÈTE

INTRODUCTION

1. La tenue de combat complète comprend la tenue de combat plus les armes collectives et les munitions, l'équipement et les rations nécessaires aux soldats pendant une période n'excédant pas 72 heures. La tenue de combat complète est illustrée à la figure 3-1.

TENUE DE COMBAT COMPLÈTE

LA TENUE DE COMBAT COMPLÈTE offre:

1. Équipement indispensable.
2. Liberté de mouvement.
3. Facilité d'accès et d'utilisation.
4. Espace pour munitions et articles supplémentaires.

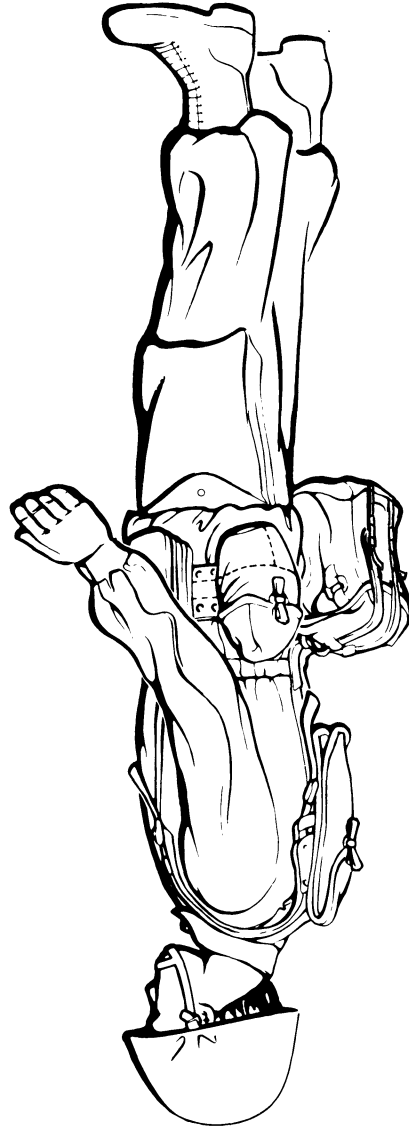


Figure 3-1 Tenue de combat complète

LA TENUE DE COMBAT ET LE SOLDAT

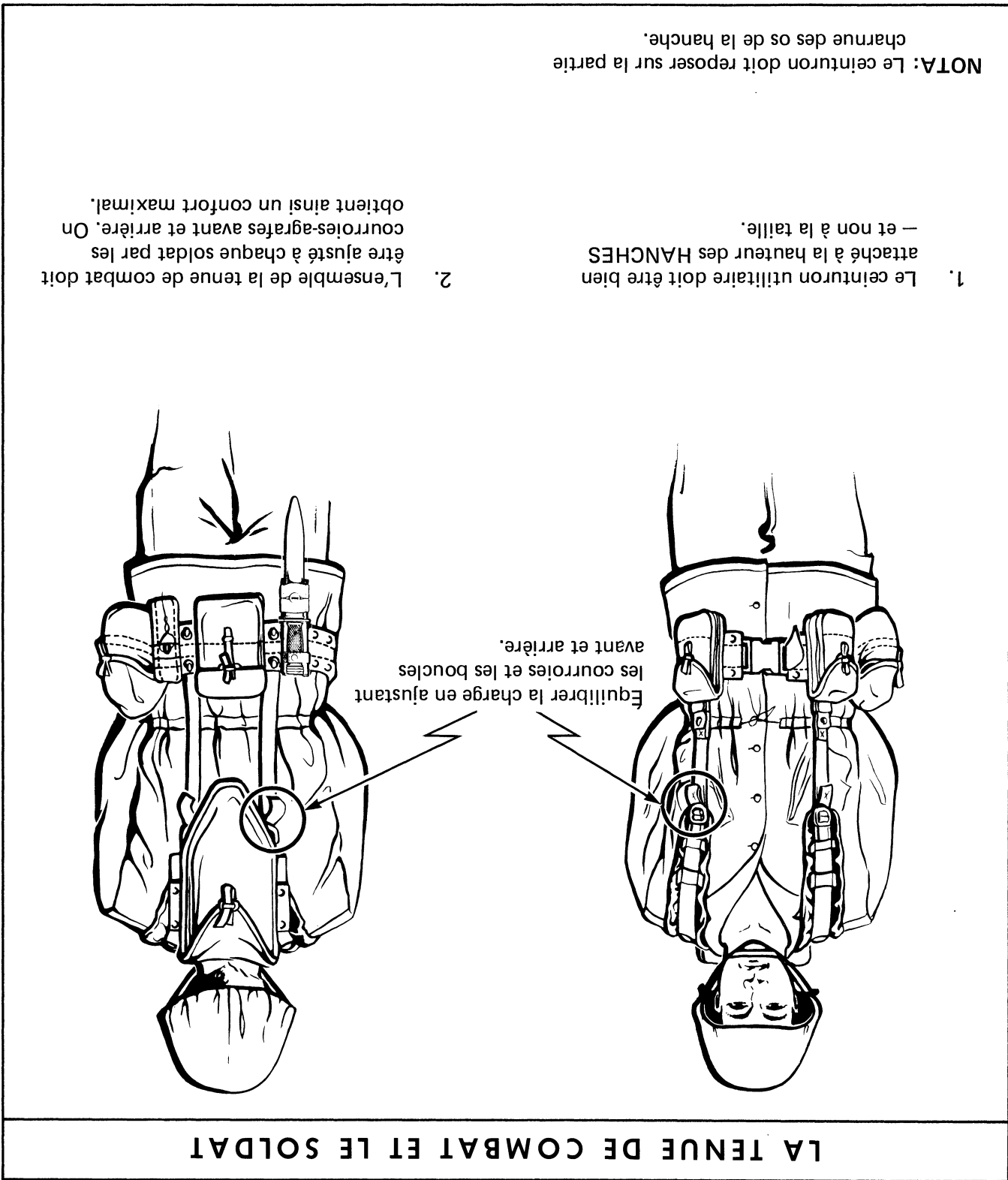


Figure 2-5 La tenue de combat et le soldat

4. L'autre assemblage de la tenue de combat est illustré à la figure 2-4.

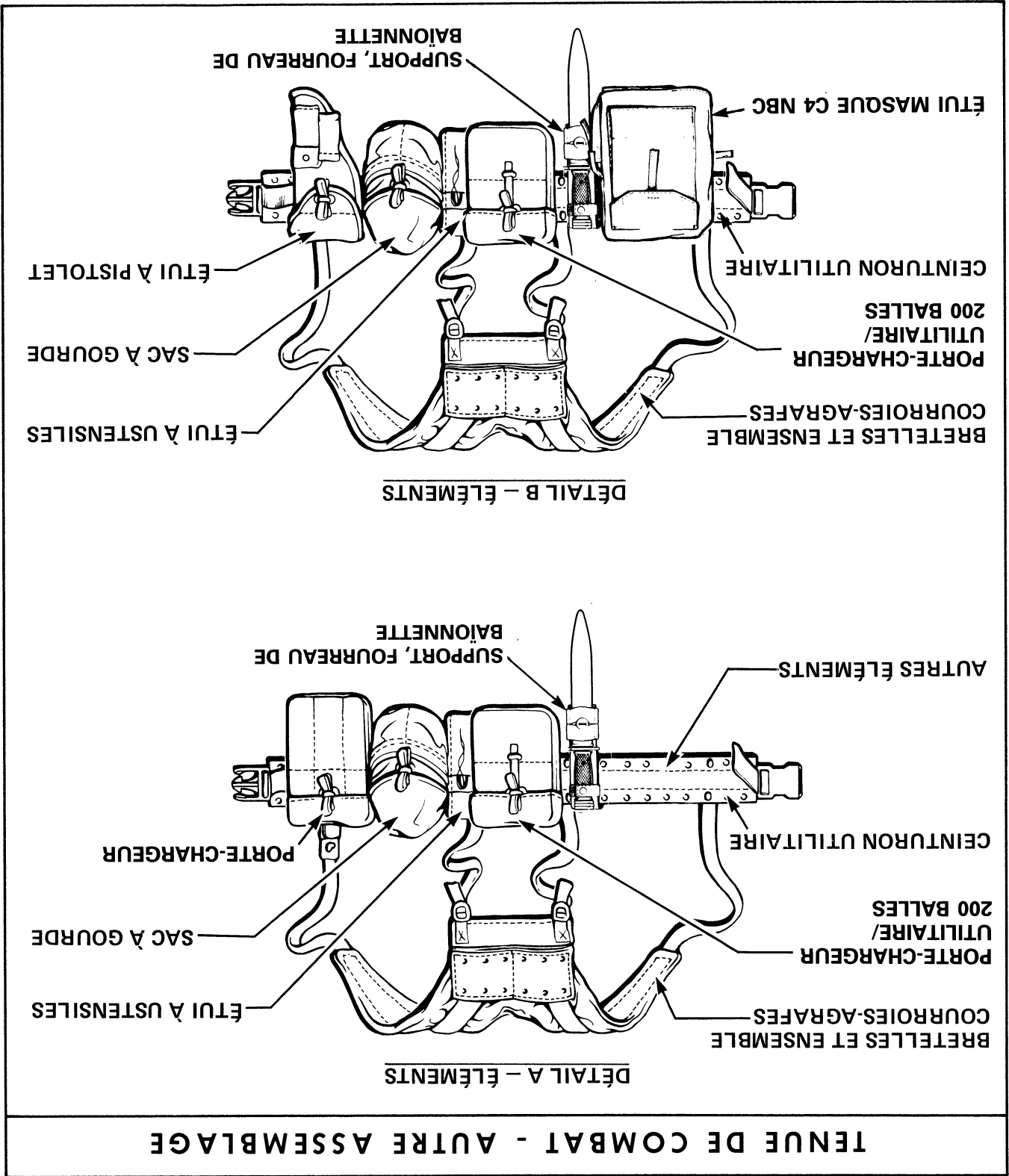
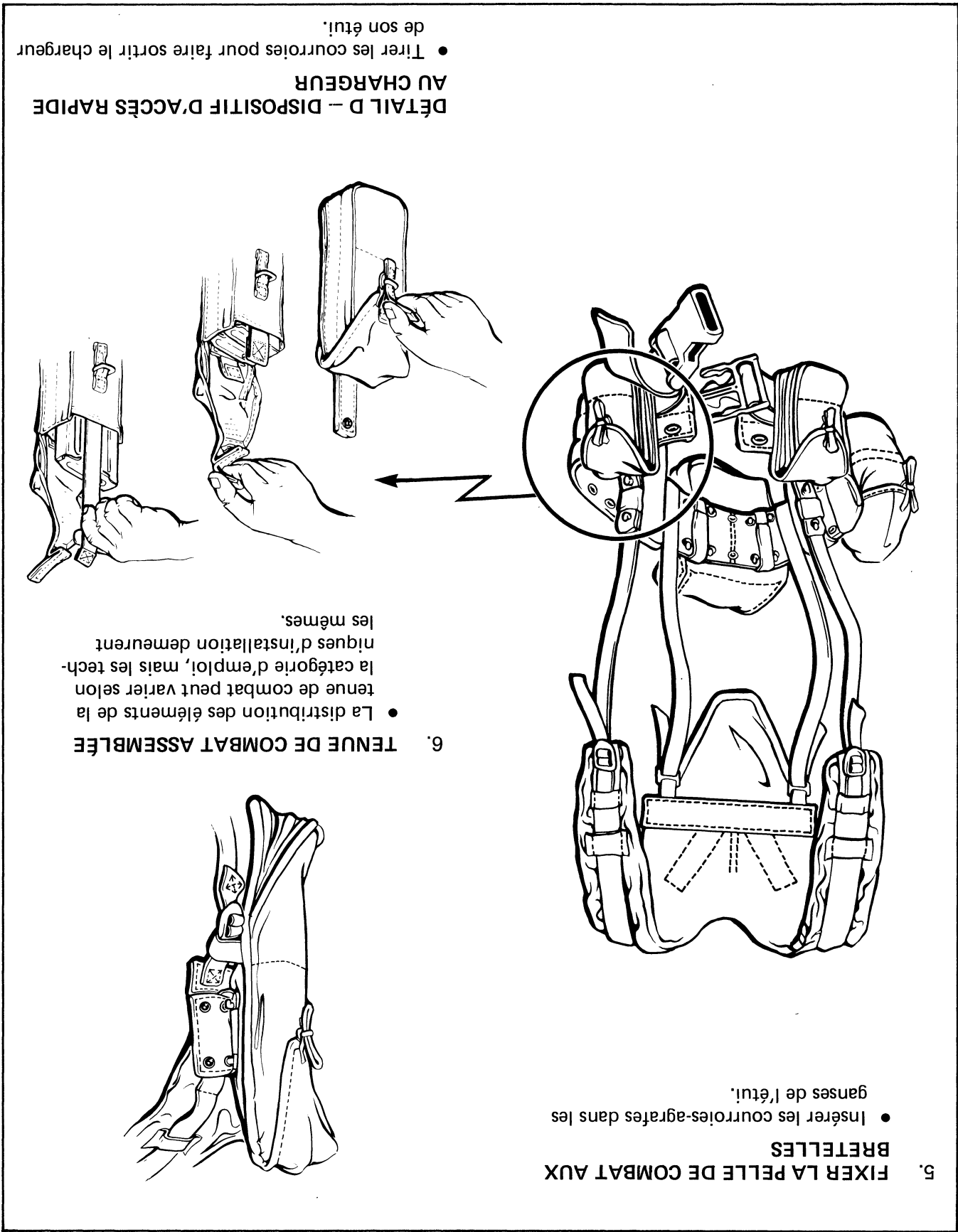


Figure 2-4 Tenue de combat - autre assemblage



5. FIXER LA PELLE DE COMBAT AUX BRÈTÈLLES

- Insérer les courroies-agraves dans les ganses de l'étui.

6. TENUE DE COMBAT ASSEMBLÉE

- La distribution des éléments de la tenue de combat peut varier selon la catégorie d'emploi, mais les techniques d'installation demeurent les mêmes.

DÉTAIL D – DISPOSITIF D'ACCÈS RAPIDE AU CHARGEUR

- Tirer les courroies pour faire sortir le chargeur de son étui.

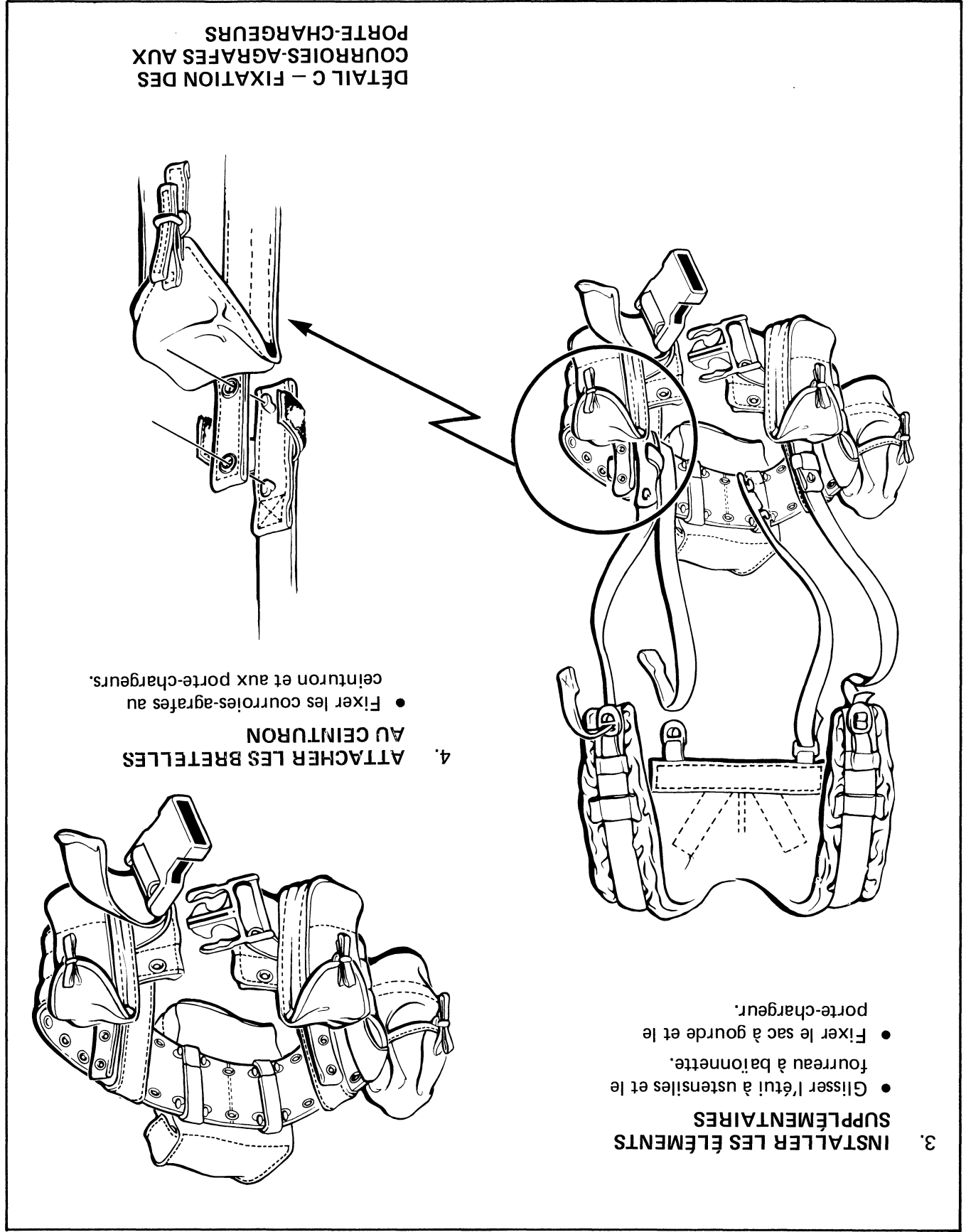


Figure 2-3 (Page 3 de 4) Tenue de combat – étapes d'assemblage

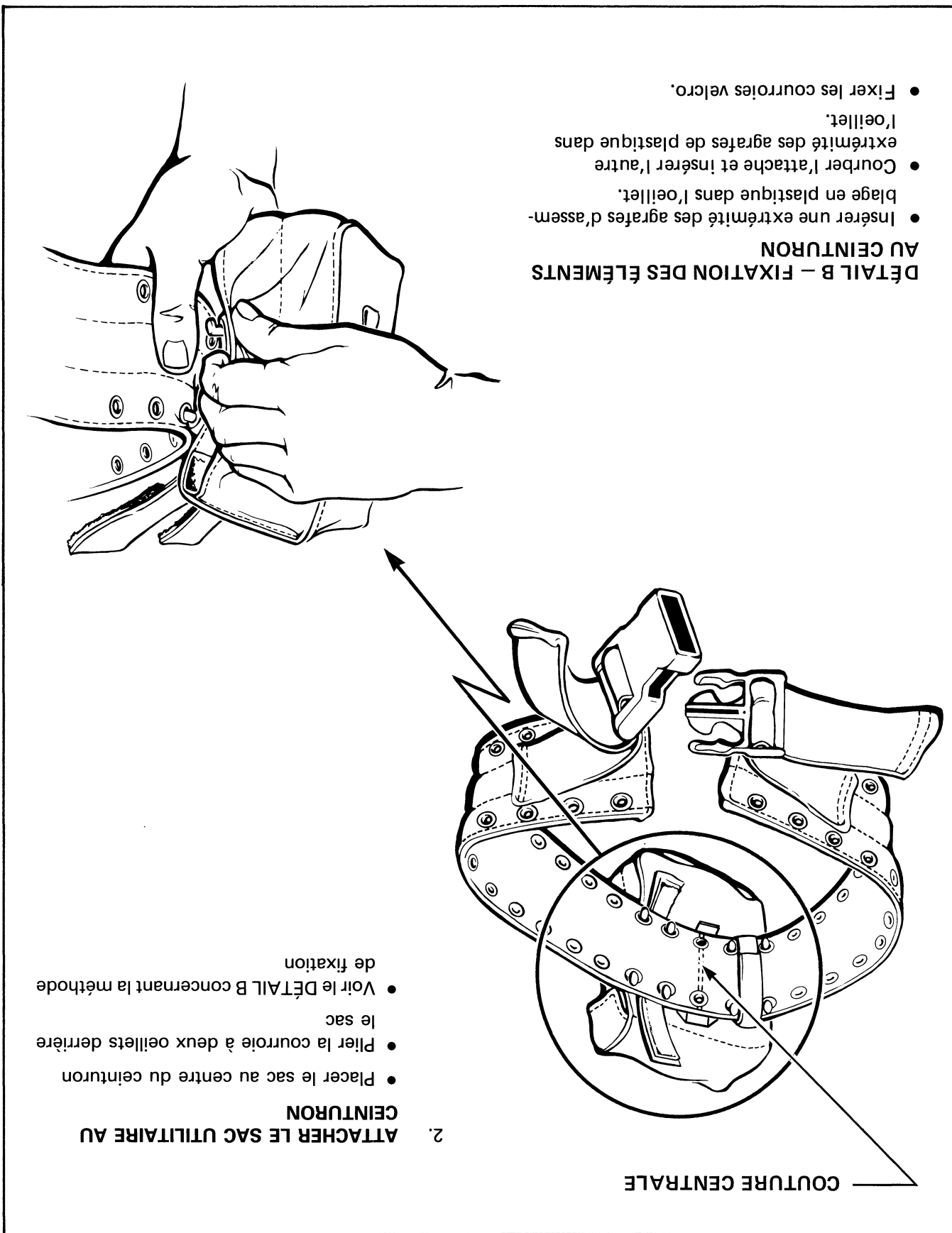


Figure 2-3 (Page 2 de 4) Tenue de combat – étapes d'assemblage

3. Il faut placer les éléments à l'endroit prévu et procéder selon l'ordre prévu pour assurer un confort et une efficacité maximum. Les étapes de l'assemblage de la tenue de combat sont illustrées à la figure 2-3.

TENUE DE COMBAT - ÉTAPES D'ASSEMBLAGE

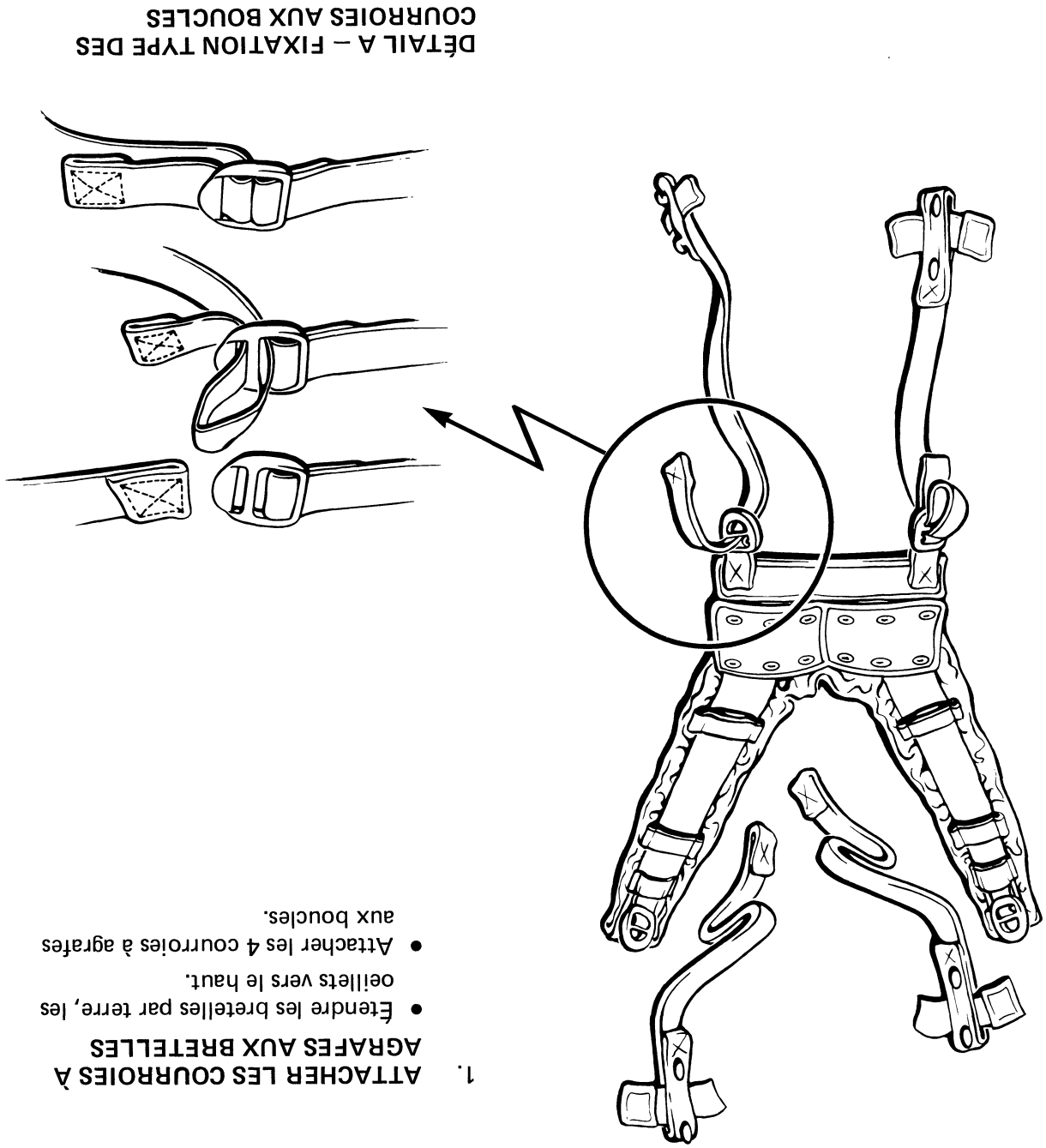


Figure 2-3 (Page 1 de 4) Tenue de combat – étapes d'assemblage

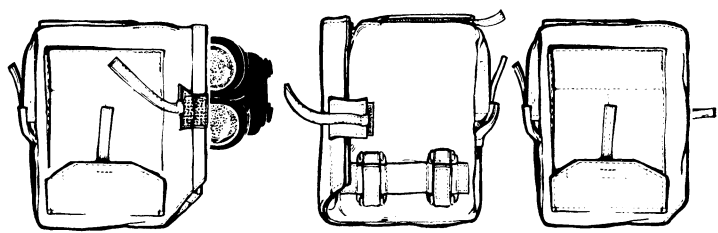
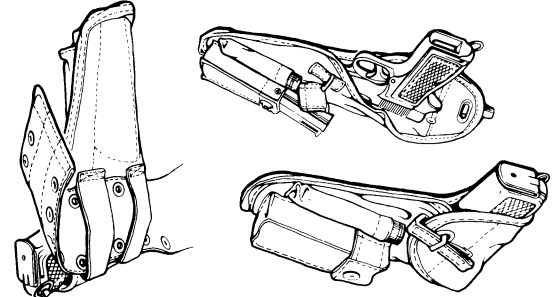
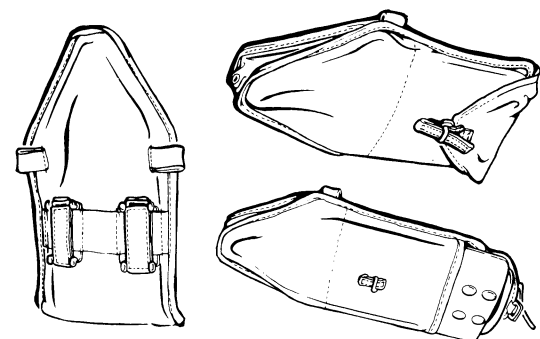
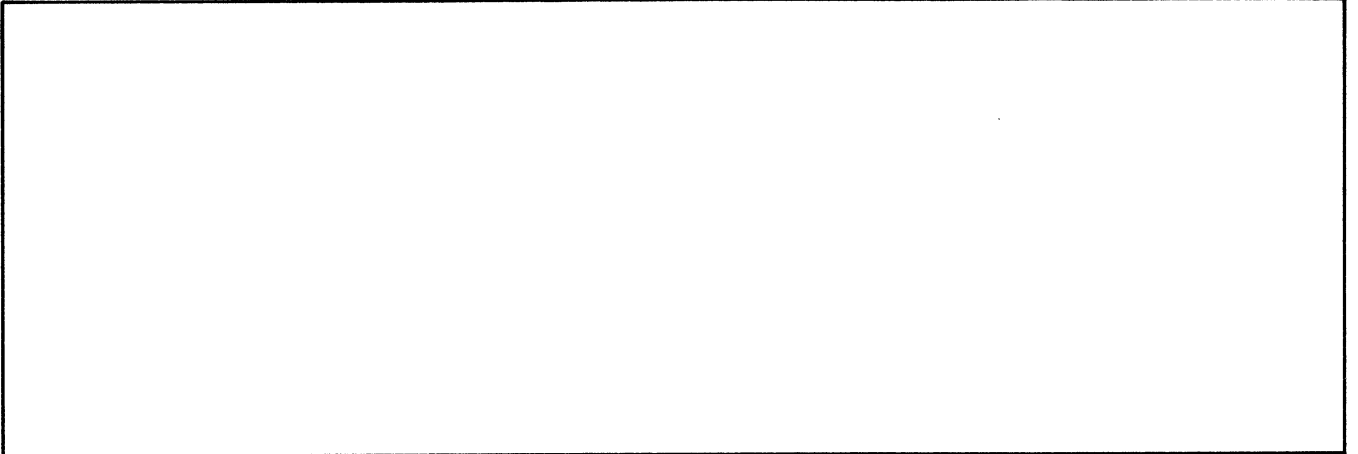
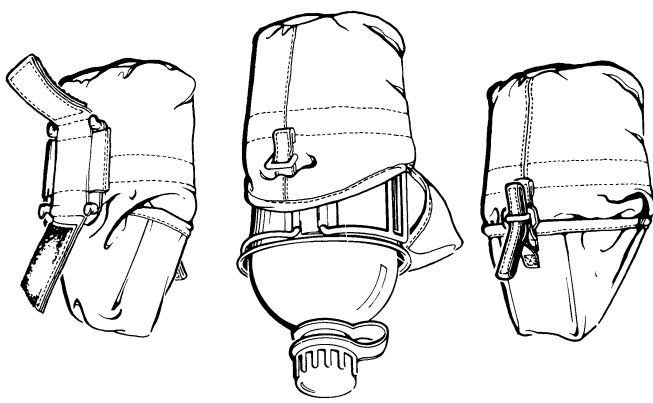
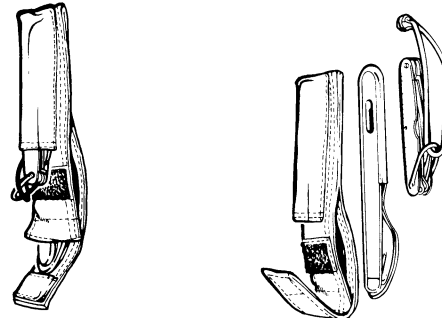
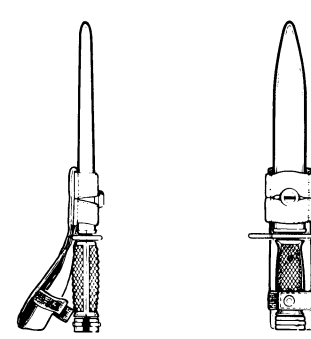
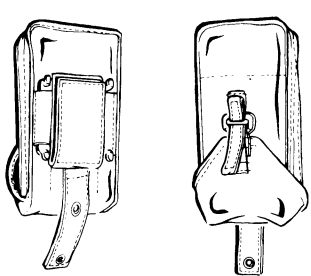
<p>9. ÉTUI MASQUE C4 NBC</p> <ul style="list-style-type: none"> • Sert à transporter le masque C-4 avec l'équipement personnel de détection et de décontamination. • Bandoulière/ceinturon facultatif 	<p>10. ÉTUI À PISTOLET</p> <ul style="list-style-type: none"> • Distribué à ceux qui ont un pistolet de 9 mm. 	<p>11. ÉTUI DE PELLE DE COMBAT</p> 	
---	--	---	--

Figure 2-2 (Page 3 de 3) Éléments de la tenue de combat

<p>5. SAC À GORDE</p> <ul style="list-style-type: none"> ● Sert à transporter la gourde en plastique. 	<p>NOTA: Les éléments suivants sont fournis aux militaires selon leurs tâches.</p>	<p>6. Étui à ustensiles</p> <ul style="list-style-type: none"> ● Sert à transporter le couteau, la fourchette, la cuiller et le couteau C5. 	<p>7. SUPPORT FOURREAU DE BAÏONNETTE</p> <ul style="list-style-type: none"> ● Distribué à ceux qui ont une arme C7 ou C8 	<p>8. PORTE-CHARGEUR DE 30 BALLEs</p> <ul style="list-style-type: none"> ● Sert à transporter des munitions. Distribué à ceux qui ont une arme C7 ou C8. 
--	---	---	---	---

2. Les éléments de la tenue de combat sont illustrés à la figure 2-2.

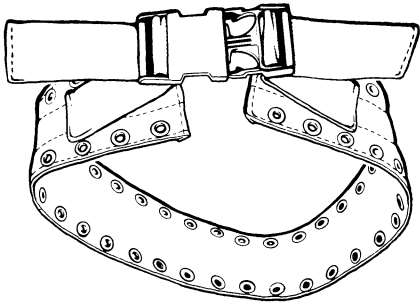
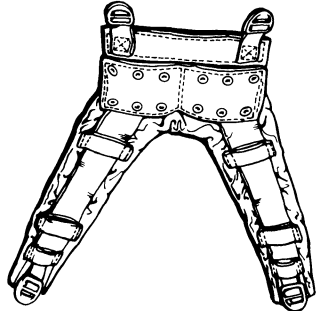
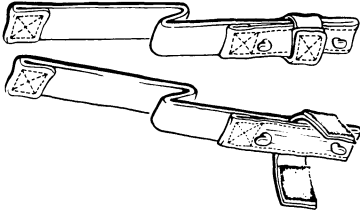
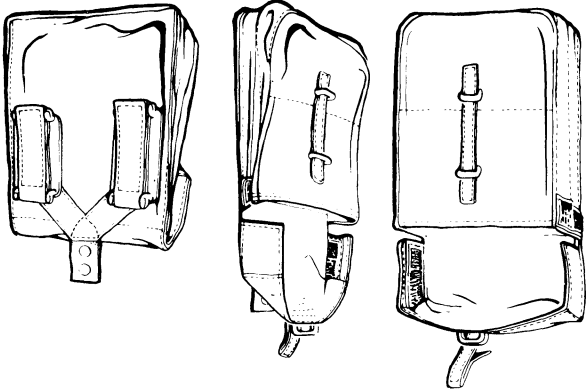
ÉLÉMENTS DE LA TENUE DE COMBAT	
<p>1. CEINTURON UTILITAIRE</p> <ul style="list-style-type: none"> ● Sert à transporter les éléments de la charge de combat. ● Distribué dans les grandeurs suivantes: petit, moyen, grand. 	
<p>2. BRETELLES</p> <ul style="list-style-type: none"> ● Servent à soutenir le ceinturon et divers éléments. 	
<p>3. ENSEMBLE COURROIE-AGRAFFE</p> <ul style="list-style-type: none"> ● Utilisé avec les bretelles pour soutenir la ceinture ou les porte-charges. 	
<p>4. PORTE-CHARGEUR UTILITAIRE/ 200 BALLEES</p> <ul style="list-style-type: none"> ● Sert à transporter des munitions de l'arme C-9. ● Sert à transporter des munitions supplémentaires ou des vêtements de pluie. 	

Figure 2-2 (Page 1 de 3) Éléments de la tenue de combat

PARTIE 2

TENUE DE COMBAT

INTRODUCTION

1. La tenue de combat comprend les munitions, les armes individuelles et les articles d'équipement individuel transportés par les soldats, et qui doivent être disponibles immédiatement pour le combat. La tenue de combat est illustrée à la figure 2-1.

TENUE DE COMBAT

- LA TENUE DE COMBAT:
1. Comprend l'équipement indispensable.
 2. Assure la liberté des mouvements.
 3. Facilite l'accès et l'utilisation des articles.

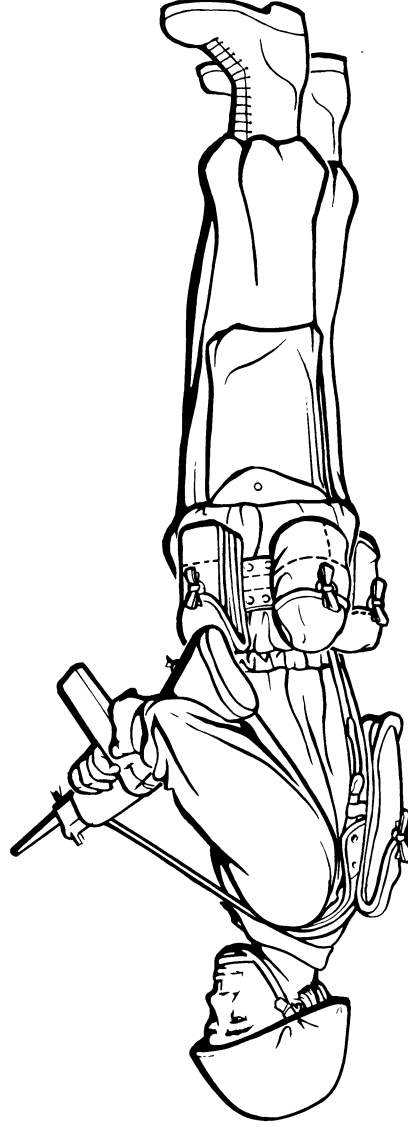


Figure 2-1 Tenue de combat

10. En se fondant sur les études susmentionnées, entre autres, on a établi les principes suivants de transport des charges :

a. Les soldats peuvent transporter des charges dont la pesanteur n'exécède pas le tiers de leur poids corporel pendant des périodes prolongées et ils n'en subissent que peu d'effets nuisibles.

b. Les soldats peuvent transporter des charges excédant le tiers de leurs poids corporel; il s'ensuit cependant un effet cumulatif directement proportionnel à l'augmentation du poids et de la durée du transport.

c. Les charges doivent être placées presque à la hauteur des épaules et le plus près possible du corps.

d. Le poids des charges doit être distribué entre les HANCHES et les EPAULES dans un rapport de 60 à 40 pour cent respectivement.

11. Les articles en toile de 1982 ont été fabriqués de manière à observer le plus possible les principes susmentionnés.

RÈGLES CONCERNANT LE TRANSPORT DES CHARGES

12. Le transport des charges de combat est en soi relativement difficile; si on ne le fait pas de la façon appropriée, la tâche devient encore plus pénible.

13. Il importe que chaque article à transporter soit placé au bon endroit. En général, les articles les plus importants doivent être les plus faciles à atteindre.

VOICI QUELQUES RÈGLES IMPORTANTES

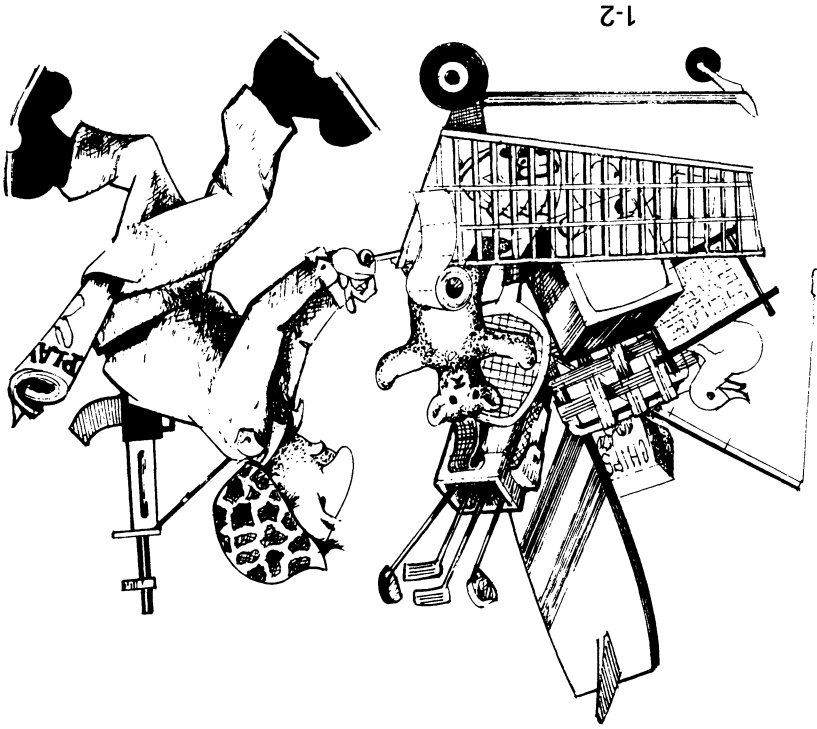
1. Connaître l'équipement.

2. Assembler l'équipement correctement.

3. Mettre chaque article à sa place.

4. Faire une charge qui soit la plus légère possible.

RAPPELEZ-VOUS CE CI ...
ON NE PEUT PAS VOUS
GREFFER UNE AUTRE
COLONNE VERTÉBRALE!



PARTIE 1

INTRODUCTION

BUT DU MANUEL

1. Le but du présent manuel est de présenter aux membres du personnel les articles de TOILE de 1982.
2. Nous voulons surtout familiariser les utilisateurs avec ces articles et montrer qu'ils sont facilement adaptables à tous les membres du personnel quel que soit leur métier ou leur tâche opérationnelle.
3. Ce manuel servira de document de référence essentiel pour les instructeurs.

PRINCIPES DE FABRICATION

GÉNÉRALITÉS

4. Les besoins, en ce qui concerne les articles de toile individuels, sont en constante évolution en raison de la nature complexe du champ de bataille moderne. C'est pour s'adapter à un équipement nouveau et pour répondre aux demandes des troupes en campagne visant à obtenir du matériel plus efficace et plus facilement adaptable qu'on a conçu et fabriqué les articles de toile de 1982.
5. Pendant la période de la mise au point, de nombreux essais d'utilisation ont été effectués et l'on a évalué des tissus imperméables légers et plus durables, de nouvelles boucles, des dispositifs d'attache et des dispositifs à déclenchement rapide ont été incorporés.

6. Les articles de toile de 1982 sont conformes aux principes de fabrication de l'accord de standardisation de l'OTAN 2311 et seront utilisés dans des ensembles complets ou parties tels que TENUE DE COMBAT, TENUE DE COMBAT COMPLÈTE ou TENUE DE ROUTE.

DESCRIPTION

7. La conception des articles de toile de 1982 est basée sur un ensemble modulaire. La tenue de combat est l'élément de base à partir duquel l'ensemble est adapté pour répondre aux besoins de chaque mission.
8. Seuls les éléments essentiels à la réalisation de la mission doivent faire partie de la charge du soldat. À cette fin, on a effectué une analyse des missions de tous les utilisateurs connus d'articles de toile individuels afin d'en déterminer la distribution initiale.

PRINCIPES DU TRANSPORT DES CHARGES

9. Au cours de la période de conception des articles de toile de 1982, des études ont été réalisées par le Commandement de la Force mobile, par l'Institut militaire et civil de médecine environnementale (IMCME), par les U.S. Army Natick Laboratories ainsi que par la Direction — Génie et maintenance (Fourniment) (DFGM).

LISTE DES FIGURES

FIGURE	TITRE	PAGE
2-1	Tenue de combat	2-1
2-2	Éléments de la tenue de combat	2-2
2-3	Tenue de combat – étapes d'assemblage	2-5
2-4	Tenue de combat – autre assemblage	2-9
2-5	La tenue de combat et le soldat	2-10
3-1	Tenue de combat complète	3-1
3-2	Éléments de la tenue de combat complète	3-2
3-3	Tenue de combat complète – étapes d'assemblage	3-3
3-4	Autre position de la musette	3-4
3-5	La tenue de combat complète et le soldat	3-5/3-6
4-1	Tenue de route	4-1
4-2	Éléments de la tenue de route	4-2
4-3	Sac à dos et armature – étapes d'assemblage	4-5
4-4	La tenue de route	4-10
4-5	La tenue de route et le soldat	4-11
4-6	Sac à dos – Délestage	4-12

TABLE DES MATIÈRES

PAGE

PARTIE 1 – INTRODUCTION

BUT DU MANUEL

PRINCIPES DE FABRICATION

Généralités

Description

Principes du transport des charges

Règles concernant le transport des charges

PARTIE 2 – TENUE DE COMBAT

Introduction

Éléments de la tenue de combat

Tenue de combat – étapes d'assemblage

Tenue de combat – autre assemblage

La tenue de combat et le soldat

PARTIE 3 – TENUE DE COMBAT COMPLÈTE

Introduction

Éléments de la tenue de combat complète

Tenue de combat complète – étapes d'assemblage

Autre position de la musette

La tenue de combat complète et le soldat

PARTIE 4 – TENUE DE ROUTE

Introduction

Éléments de la tenue de route

Sac à dos et armature – étapes d'assemblage

La tenue de route et le soldat

Sac à dos – Délestage

PARTIE 5 – NETTOYAGE ET ENTRETIEN

Matériel

Procédure de nettoyage

Entretien

PARTIE 6 – LISTE DES ARTICLES DE TOILE DE 1982

LISTE DES ARTICLES DE TOILE DE 1982

ENSEMBLE SAC À DOS ET ARMATURE

6-1
6-2

5-1/5-2
5-1/5-2
5-1/5-2

4-1
4-2
4-5
4-11
4-12

3-1
3-2
3-3
3-4
3-5/3-6

2-1
2-2
2-5
2-9
2-10

1-1
1-1
1-1
1-1
1-1
1-2

ÉTAT DES PAGES EN VIGUEUR

Insérer les pages le plus récemment modifiées et disposer de celles qu'elles remplacent conformément aux instructions applicables.

NOTA

La partie du texte touchée par le plus récent modificatif est indiquée par une ligne verticale dans la marge. Les modifications aux illustrations sont indiquées par des mains miniaturs à l'index pointé ou des lignes verticales noires.

Les dates de publication pour les pages originales et les pages modifiées sont:

Page originale	0	1992-04-02	Mod.	6
Mod.	1		Mod.	7
Mod.	2		Mod.	8
Mod.	3		Mod.	9
Mod.	4		Mod.	10
Mod.	5		Mod.	11

Zéro dans la colonne des modificatifs indique une page originale. La présente publication comprend 36 pages réparties de la façon suivante:

Numéro de page	Numéro de modificatif	Numéro de page	Numéro de modificatif
Titre	0	3-1 à 3-5/3-6	0
A	0	4-1 à 4-12	0
i, ii	0	5-1/5-2	0
1-1, 1-2	0	6-1, 6-2	0
2-1 à 2-10	0		

Issued on Authority of the Chief of the Defence Staff
Publiée avec l'autorisation du Chef d'état-major de la Défense

(remplace C-87-248-000/MB-000 de 1983-09-20)

ARTICLES DE TOILE 1982

MANUEL DE L'UTILISATEUR



National
Défense
Défense
nationale